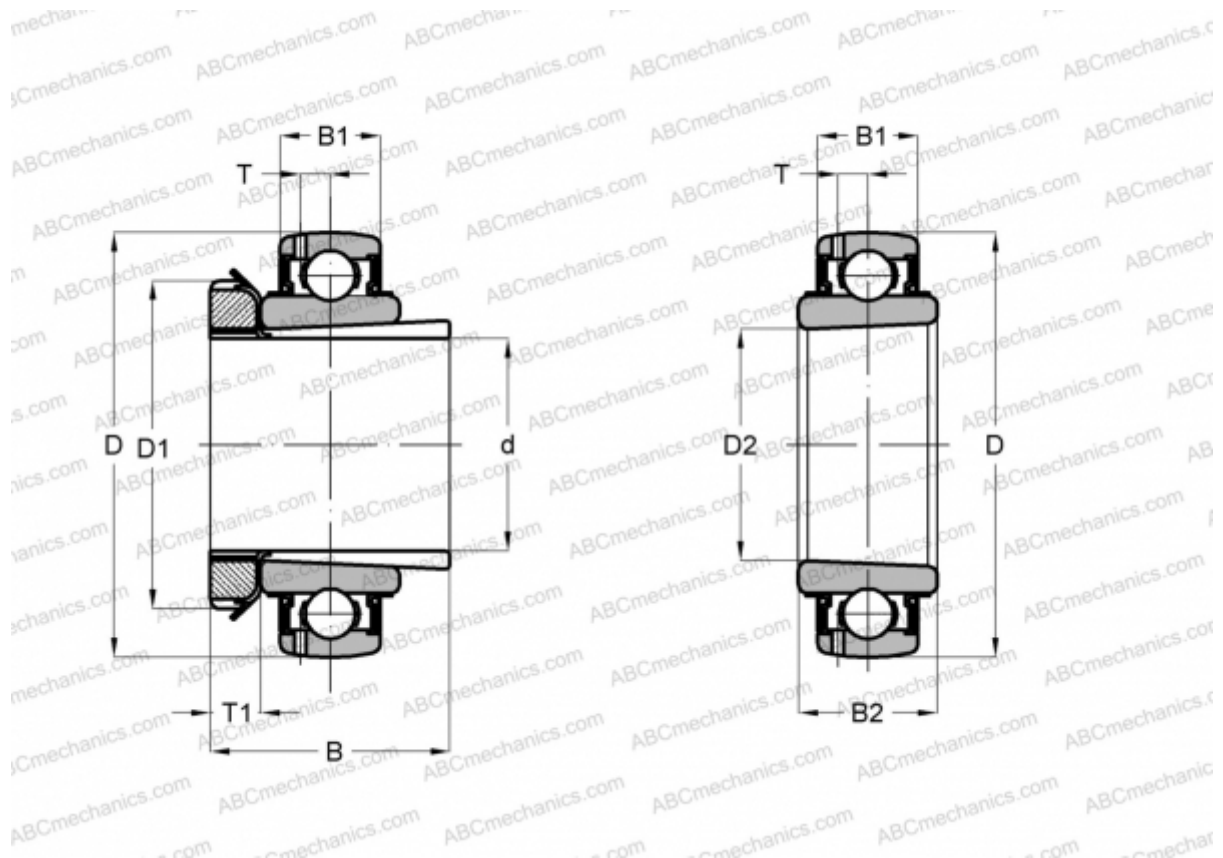


## UK X18 + HS2318 ASAHI

Insert bearings

TYPE: Ball bearings, Radial insert bearings, With adapter sleeve, Spherical outer ring, Series UK X, seals on both side, inch size



### Technical specification

#### DIMENSIONS, MM

d	79,375
D	170,000
D1	119,990
D2	90,000
B	86,004
B1	37,998
B2	51,994
T	11,913
T1	18,009

**WEIGHT, KG** 5,107

**MANUFACTURER** [ASAHI](#)