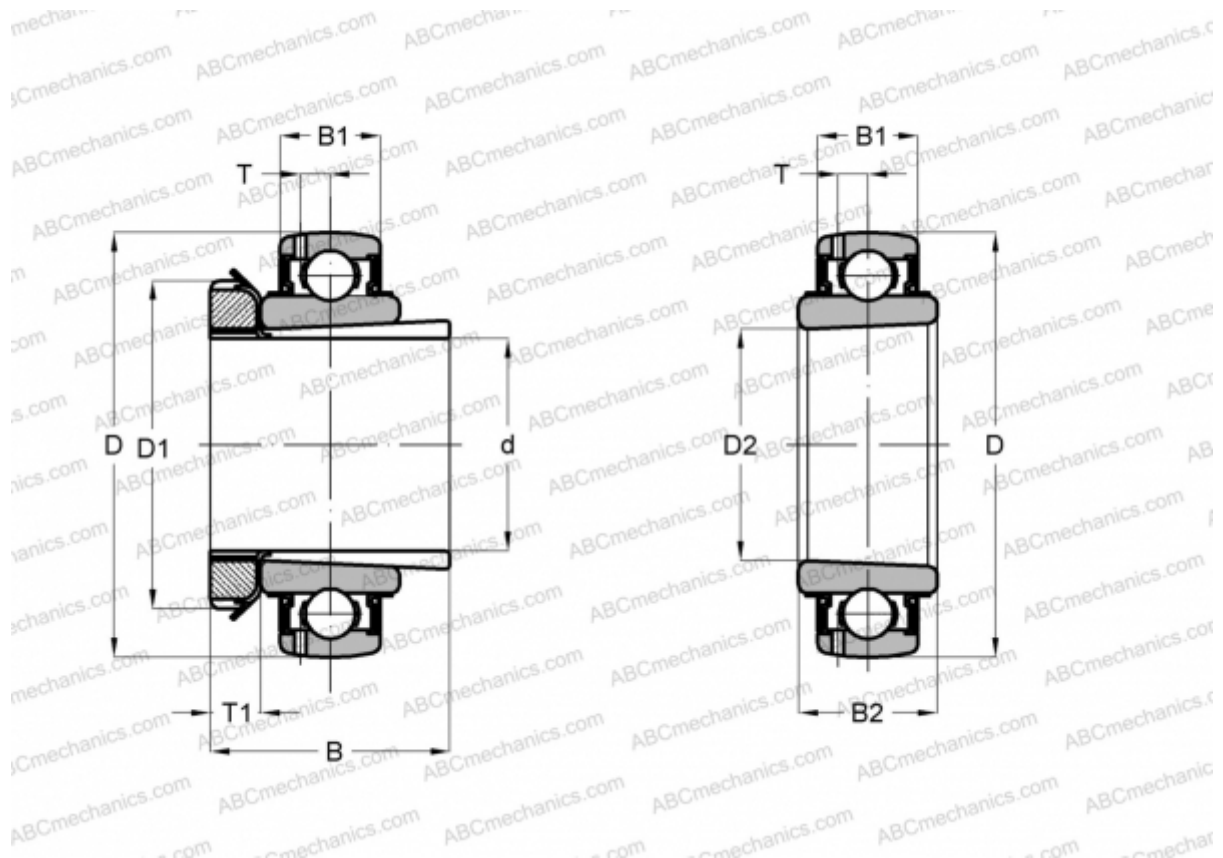


UK X20 + HE2320 ASAHI

Insert bearings

TYPE: Ball bearings, Radial insert bearings, With adapter sleeve, Spherical outer ring, Series UK X, seals on both side, inch size



Technical specification

DIMENSIONS, MM

d	88,900
D	190,000
D1	129,997
D2	100,000
B	97,003
B1	42,012
B2	57,988
T	13,005
T1	19,990

WEIGHT, KG 8,097

MANUFACTURER [ASAHI](#)