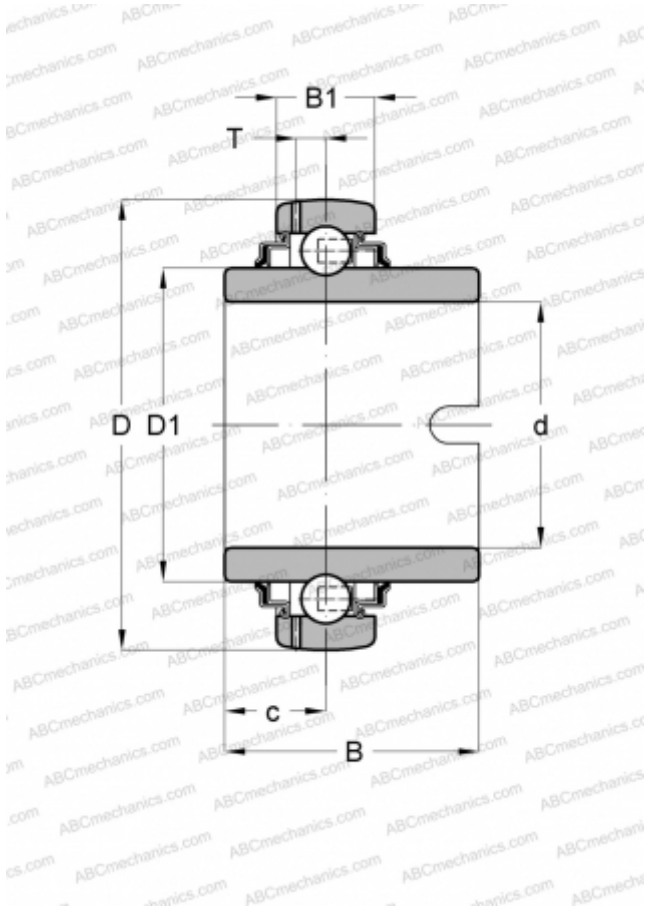


GLE20-KRR-B INA

Insert bearings

TYPE: Ball bearings, Radial insert bearings, With drive slot, Spherical outer ring, Series GLE..-KRR-B(INA), seals on both side



Technical specification

DIMENSIONS, MM

d	20,000
D	47,000
D1	27,600
B	34,100
B1	14,000
c	15,600
T	4,000

WEIGHT, KG

0,150

MANUFACTURER

[INA](#)

REPLACES

GLE20-XL-KRR-B