

RABRB12/47-FA106 INA

Insert bearings

TYPE: Ball bearings, Radial insert bearings, Rubber interliner, Eccentric locking collar, series RABRA, RABRB(INA), seals on both side

Technical specification

DIMENSIONS, MM

d	12,000
D	47,300
D1	28,000
D2	33,500
B	30,900
B1	17,600
B2	28,600
c	22,100

WEIGHT, KG

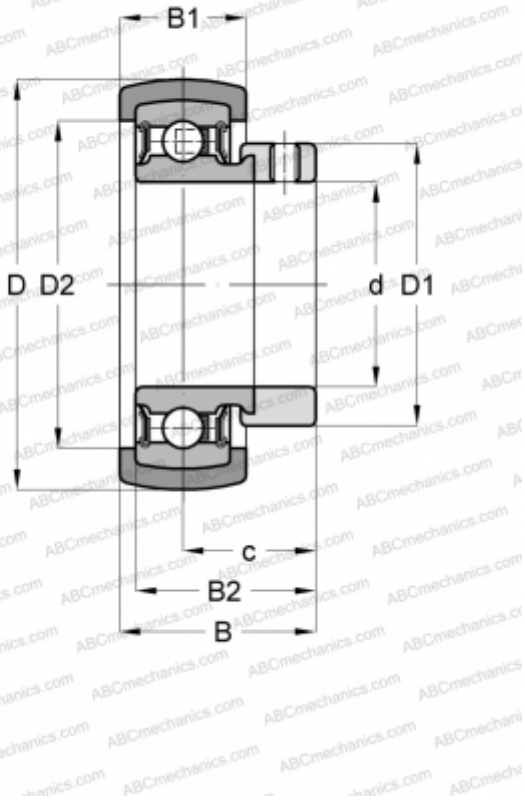
0,150

MANUFACTURER

[INA](#)

REPLACES

RABRB12/47-XL-FA106



ASSOCIATED PRODUCTS

RAE12-NPP-B-FA106