

RABRB35/80-FA106 INA

Insert bearings

TYPE: Ball bearings, Radial insert bearings, Rubber interliner, Eccentric locking collar, series RABRA, RABRB(INA), seals on both side

Technical specification

DIMENSIONS, MM

| | |
|----|--------|
| d | 35,000 |
| D | 80,200 |
| D1 | 51,000 |
| D2 | 62,000 |
| B | 41,400 |
| B1 | 24,000 |
| B2 | 39,000 |
| c | 29,400 |

WEIGHT, KG

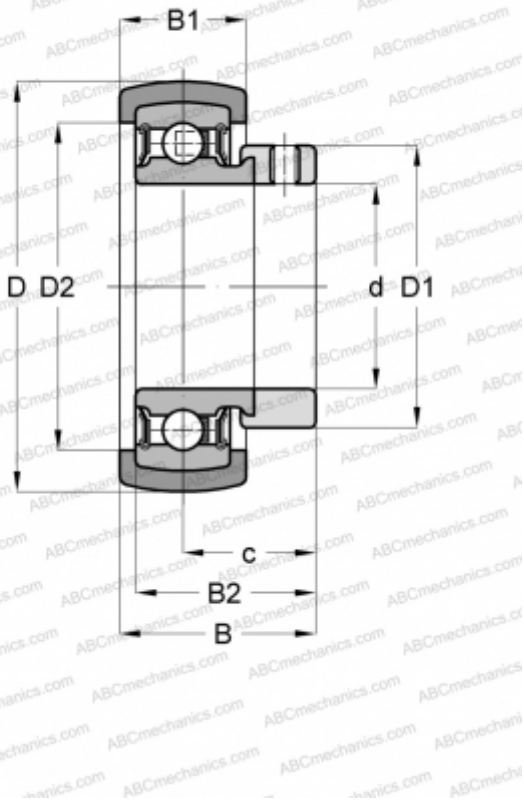
0,570

MANUFACTURER

[INA](#)

REPLACES

RABRB35/80-XL-FA106



ASSOCIATED PRODUCTS

RAE35-NPP-B-FA106