

## RABRB50/100-FA106 INA

Insert bearings

TYPE: Ball bearings, Radial insert bearings, Rubber interliner, Eccentric locking collar, series RABRA, RABRB(INA), seals on both side

### Technical specification

#### DIMENSIONS, MM

d	50,000
D	100,200
D1	69,000
D2	80,000
B	47,700
B1	30,000
B2	43,800
c	32,700

#### WEIGHT, KG

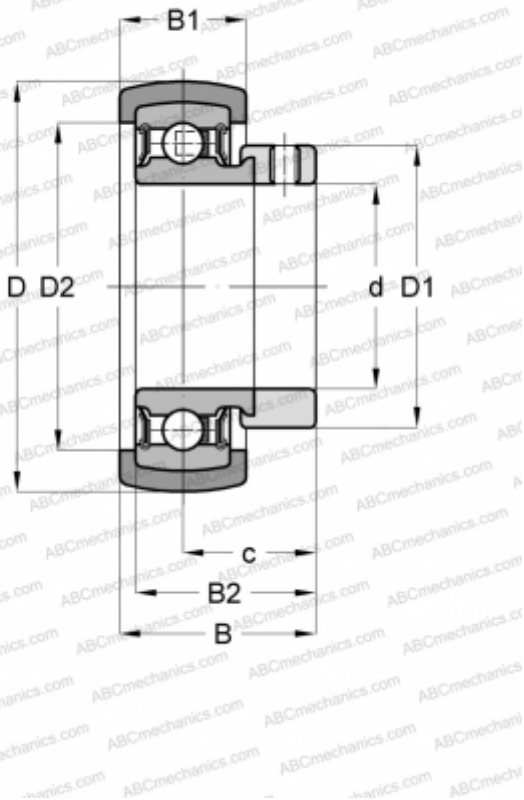
0,920

#### MANUFACTURER

[INA](#)

#### REPLACES

RABRB50/100-XL-FA106



#### ASSOCIATED PRODUCTS

RAE50-NPP-B-FA106