

RCRA20/46-FA106 INA

Insert bearings

TYPE: Ball bearings, Radial insert bearings, Rubber interliner, Eccentric locking collar, series RCRA, RCRB(INA), seals on both side

Technical specification

DIMENSIONS, MM

d	20,000
D	46,000
D1	30,000
D2	35,000
B	28,600
B1	18,300
B2	24,500
c	10,000
T	16,000
T1	18,600

WEIGHT, KG

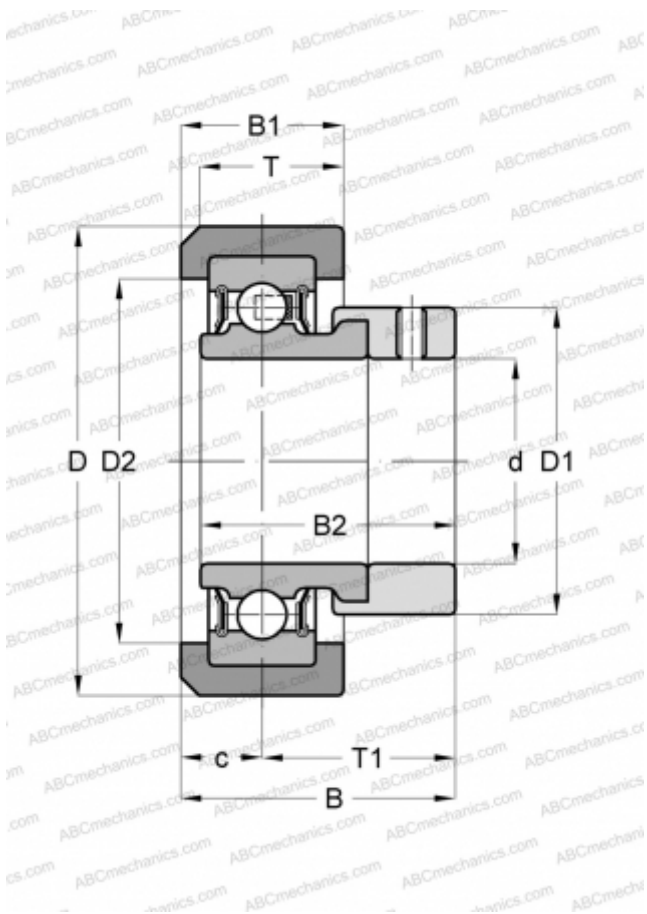
0,140

MANUFACTURER

[INA](#)

REPLACES

RCRA20/46-XL-FA106



ASSOCIATED PRODUCTS

RALE20-NPP-FA106