

RCRB25/57-FA106 INA

Insert bearings

TYPE: Ball bearings, Radial insert bearings, Rubber interliner, Eccentric locking collar, series RCRA, RCRB(INA), seals on both side

Technical specification

DIMENSIONS, MM

d	25,000
D	57,300
D1	37,500
D2	44,500
B	27,300
B1	19,800
B2	31,000
c	9,800
T	17,500
T1	23,500

WEIGHT, KG

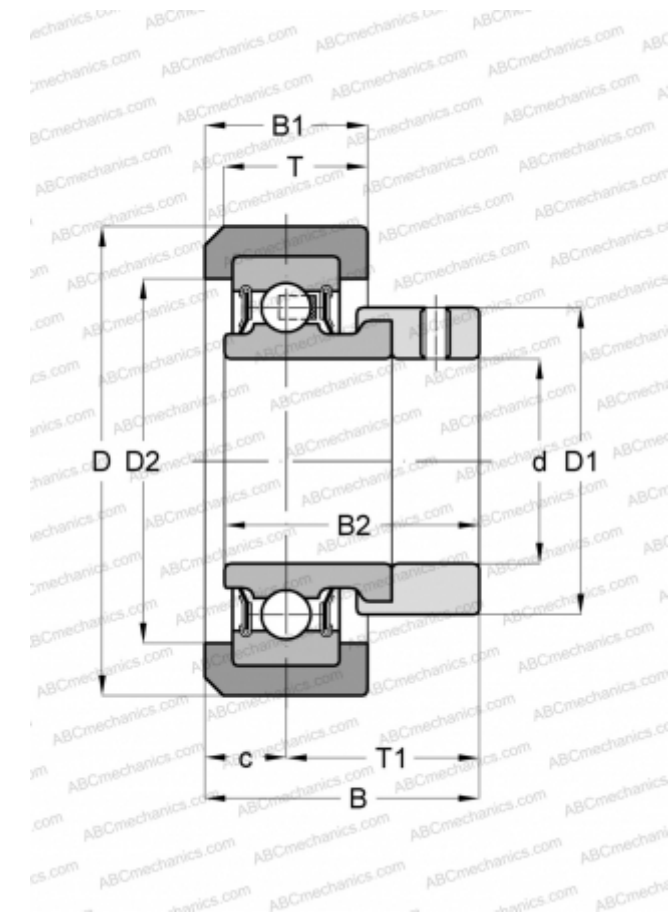
0,210

MANUFACTURER

[INA](#)

REPLACES

RCRB25/57-XL-FA106



ASSOCIATED PRODUCTS

RAE25-NPP-FA106