

## PE25 INA

Insert bearings

TYPE: Ball bearings, Radial insert bearings, With steel aligning ring, Eccentric locking collar, series PE(INA), seals on both side

### Technical specification

#### DIMENSIONS, MM

d	25,000
D	62,000
D1	37,500
D2	59,600
B	32,000
B1	17,000
B2	31,000
T	1,900
T1	11,200

#### WEIGHT, KG

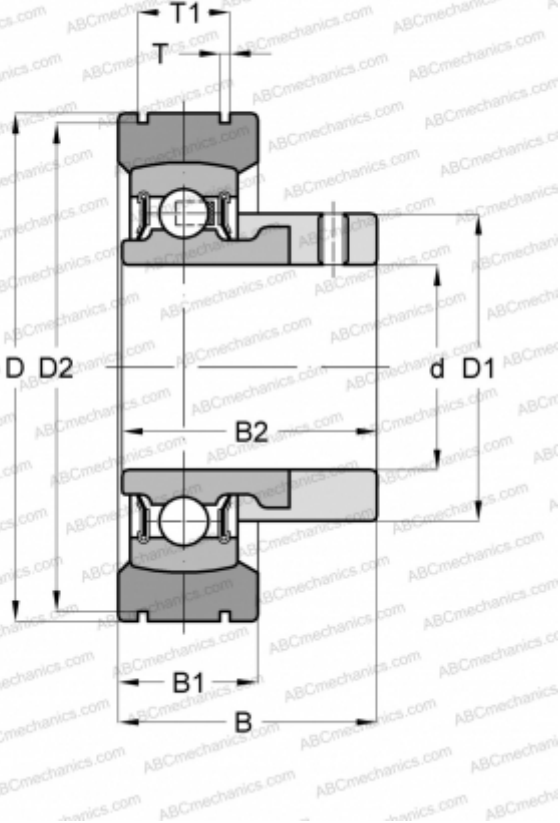
0,310

#### MANUFACTURER

[INA](#)

#### REPLACES

PE25-XL



#### ASSOCIATED PRODUCTS

RAE25-NPP-B