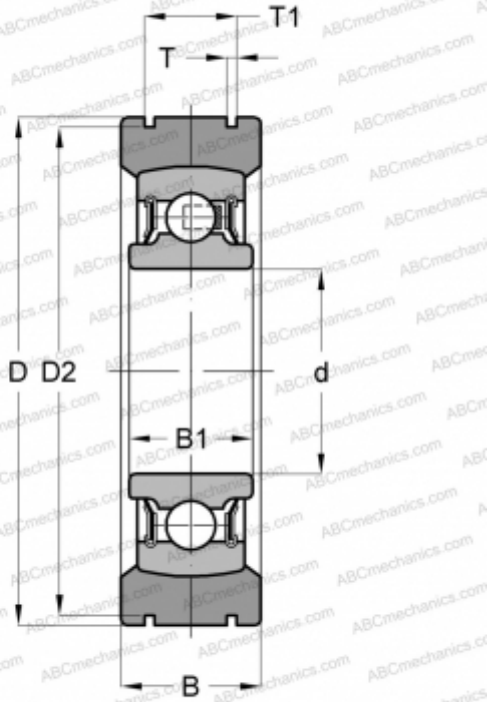


## BE35 INA

Insert bearings

TYPE: Ball bearings, Radial insert bearings, With steel aligning ring, Cylindrical outer ring, series BE(INA), seals on both side



### Technical specification

#### DIMENSIONS, MM

d	35,000
D	80,000
D2	76,800
B	21,000
B1	17,000
T	1,900
T1	14,400
E	207

#### WEIGHT, KG

0,450

#### MANUFACTURER

[INA](#)

#### REPLACES

BE35-XL

#### ASSOCIATED PRODUCTS

207-NPP-B