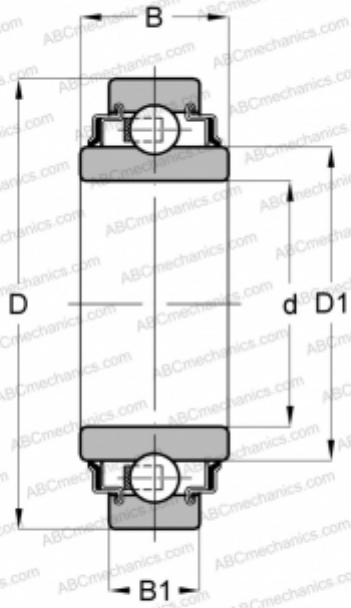


203-KRR-AH05 INA

Insert bearings

TYPE: Ball bearings, Radial insert bearings, Wide inner ring, Cylindrical outer ring, Series 2..-KRR, 2..-KRR-AH..(INA), seals on both side



Technical specification

DIMENSIONS, MM

d	13,000
D	40,000
B	18,300
B1	12,000

WEIGHT, KG

0,090

MANUFACTURER

[INA](#)

REPLACES

203-XL-KRR-AH05