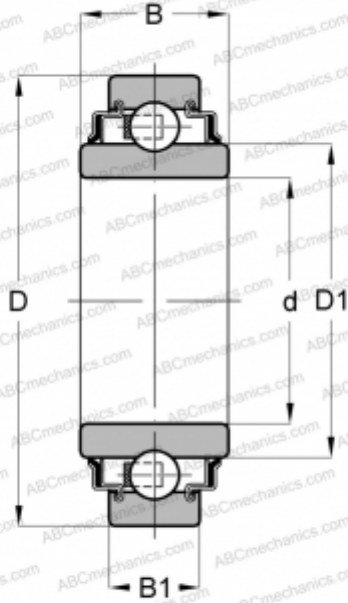


## 202-KRR INA

Insert bearings

TYPE: Ball bearings, Radial insert bearings, Wide inner ring, Cylindrical outer ring, Series 2..-KRR, 2..-KRR-AH..(INA), seals on both side



### Technical specification

#### DIMENSIONS, MM

d	15,000
D	35,000
B	14,400
B1	11,000

#### WEIGHT, KG

0,050

#### MANUFACTURER

[INA](#)

#### REPLACES

202-XL-KRR