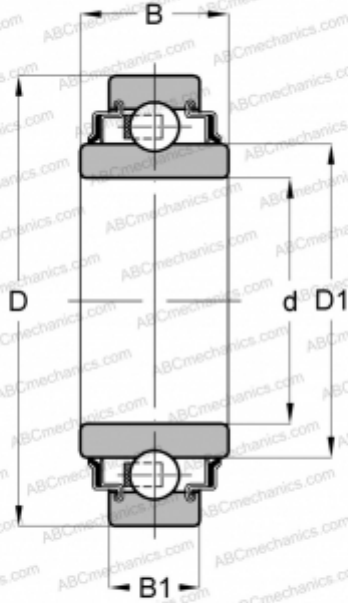


## 203-KRR-AH02 INA

Insert bearings

TYPE: Ball bearings, Radial insert bearings, Wide inner ring, Cylindrical outer ring, Series 2...KRR, 2...KRR-AH..(INA), seals on both side



### Technical specification

#### DIMENSIONS, MM

d	16,200
D	40,000
B	18,300
B1	12,000

#### WEIGHT, KG

0,070

#### MANUFACTURER

[INA](#)

#### REPLACES

203-XL-KRR-AH02