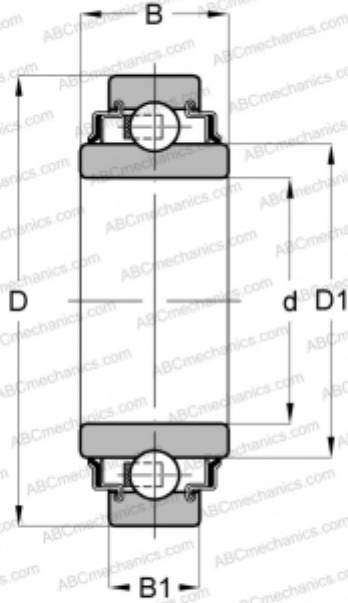


204-KRR INA

Insert bearings

TYPE: Ball bearings, Radial insert bearings, Wide inner ring, Cylindrical outer ring, Series 2...-KRR, 2...-KRR-AH..(INA), seals on both side



Technical specification

DIMENSIONS, MM

| | |
|----|--------|
| d | 20,000 |
| D | 47,000 |
| B | 17,700 |
| B1 | 14,000 |

WEIGHT, KG

0,120

MANUFACTURER

[INA](#)

REPLACES

204-XL-KRR