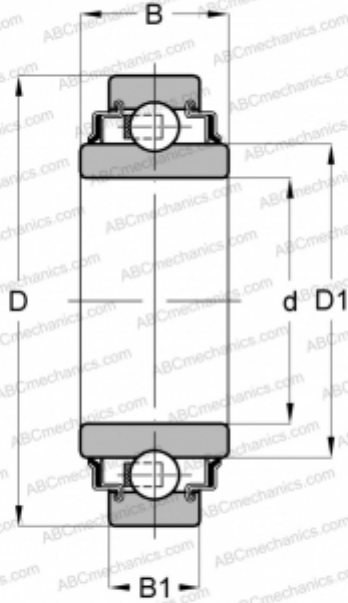


205-KRR INA

Insert bearings

TYPE: Ball bearings, Radial insert bearings, Wide inner ring, Cylindrical outer ring, Series 2..-KRR, 2..-KRR-AH..(INA), seals on both side



Technical specification

DIMENSIONS, MM

d	25,000
D	52,000
B	21,000
B1	15,000

WEIGHT, KG

0,160

MANUFACTURER

[INA](#)

REPLACES

205-XL-KRR