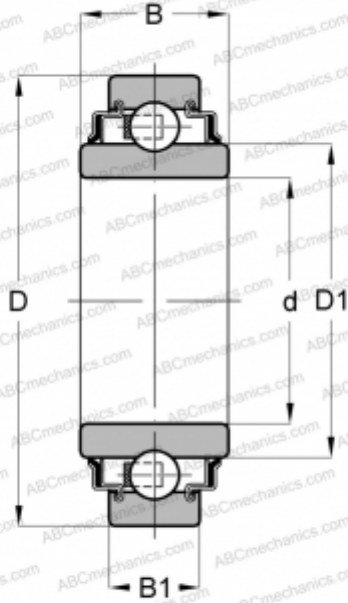


## 207-KRR-AH03 INA

Insert bearings

TYPE: Ball bearings, Radial insert bearings, Wide inner ring, Cylindrical outer ring, Series 2..-KRR, 2..-KRR-AH..(INA), seals on both side



### Technical specification

#### DIMENSIONS, MM

d	35,000
D	72,000
B	25,000
B1	17,000

#### WEIGHT, KG

0,350

#### MANUFACTURER

[INA](#)

#### REPLACES

207-XL-KRR-AH03