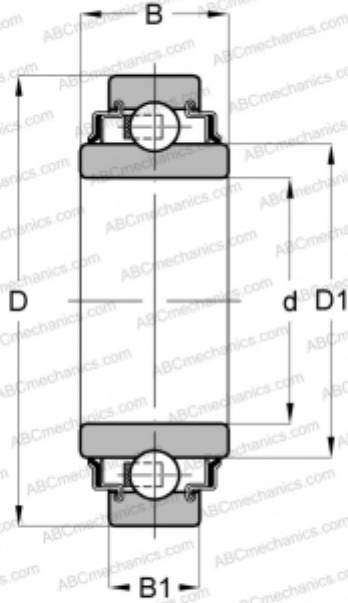


208-KRR INA

Insert bearings

TYPE: Ball bearings, Radial insert bearings, Wide inner ring, Cylindrical outer ring, Series 2...KRR, 2...KRR-AH..(INA), seals on both side



Technical specification

DIMENSIONS, MM

d	40,000
D	80,000
B	27,000
B1	18,000

WEIGHT, KG

0,440

MANUFACTURER

[INA](#)

REPLACES

208-XL-KRR