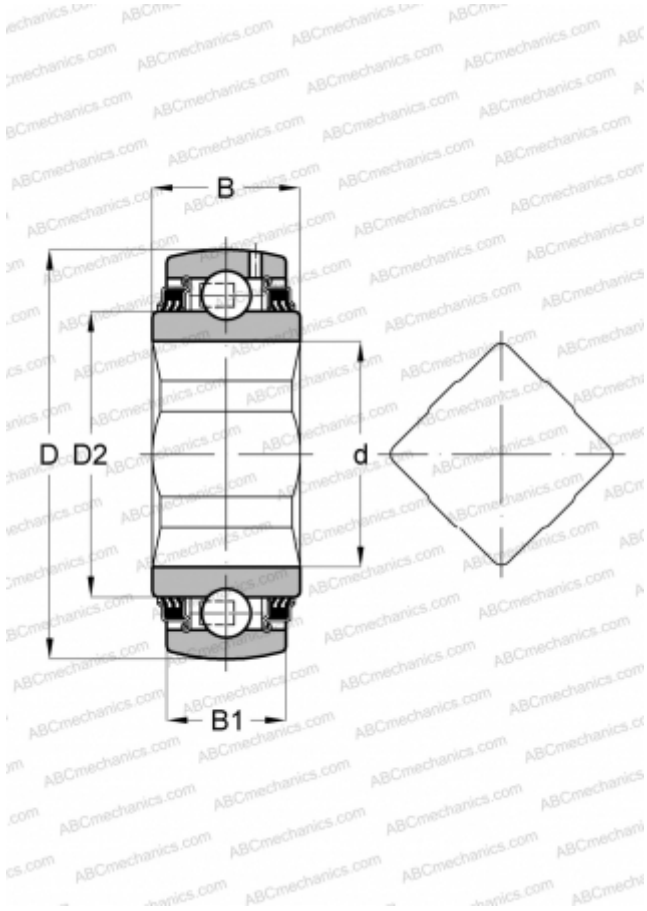


## GVKE30-211-KTT-B-AS2/V INA

Insert bearings

TYPE: Ball bearings, Radial insert bearings, Self-aligning, Spherical outer ring, Series GVK(E)..-KTT-B(INA), seals on both side, inner ring with square bore



### Technical specification

#### DIMENSIONS, MM

d	30,000
D	100,000
D2	69,700
B	36,000
B1	25,000

#### WEIGHT, KG

1,230

#### MANUFACTURER

[INA](#)