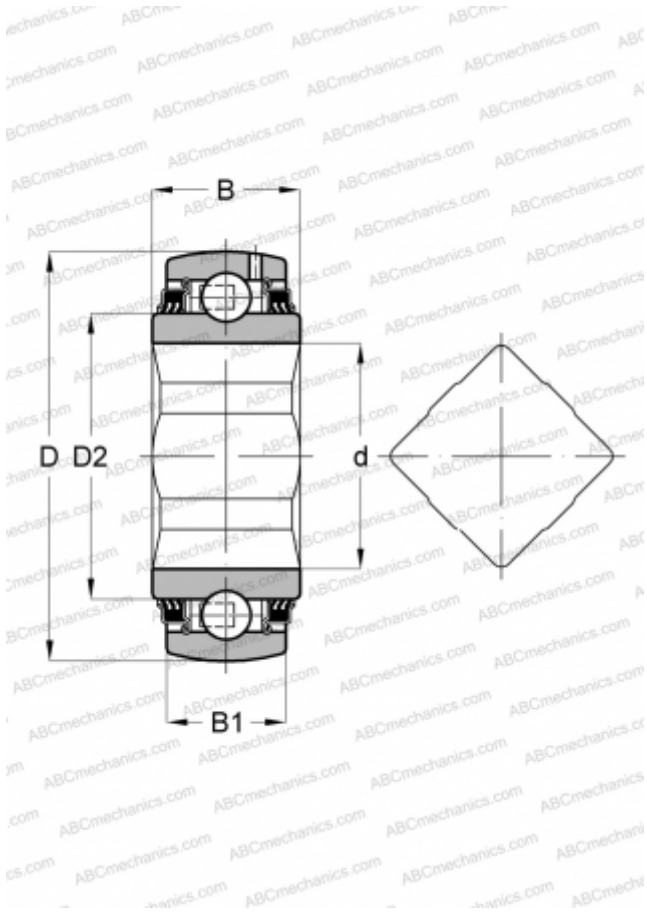


GVK109-211-KTT-B-AS2/V INA

Insert bearings

TYPE: Ball bearings, Radial insert bearings, Self-aligning, Spherical outer ring, Series GVK(E)..-KTT-B(INA), seals on both side, inner ring with square bore



Technical specification

DIMENSIONS, MM

d	39,688
D	100,000
D2	69,800
B	36,000
B1	25,000

WEIGHT, KG

1,250

MANUFACTURER

[INA](#)