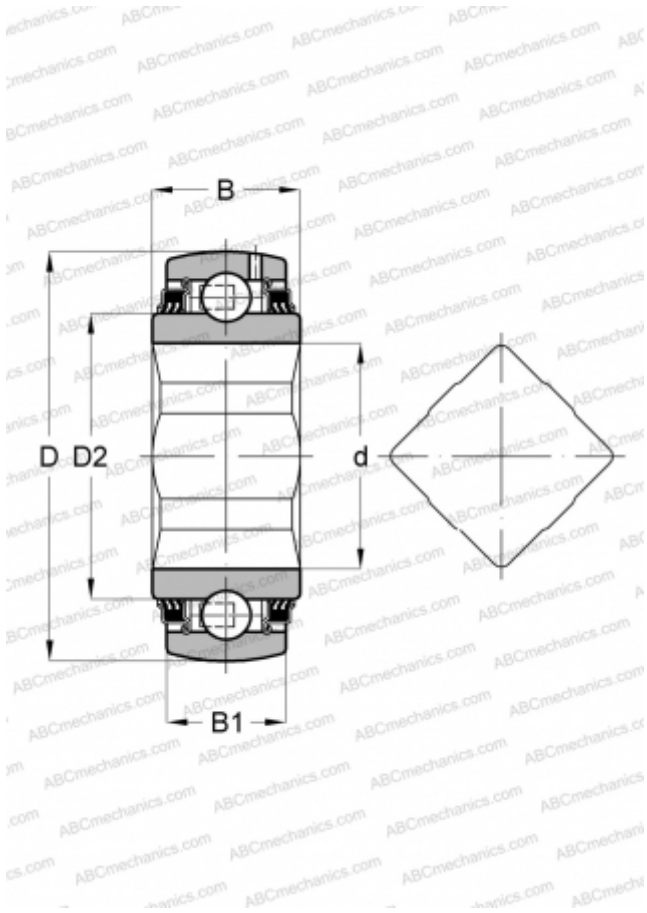


VKE28-209-KTT-B-GA47/70 INA

Insert bearings

TYPE: Ball bearings, Radial insert bearings, Self-aligning, Spherical outer ring, Series VK(E)..-KTT-B(INA), seals on both side, inner ring with square bore



Technical specification

DIMENSIONS, MM

d	28,000
D	85,000
D2	57,900
B	42,900
B1	22,000

WEIGHT, KG

0,890

MANUFACTURER

[INA](#)