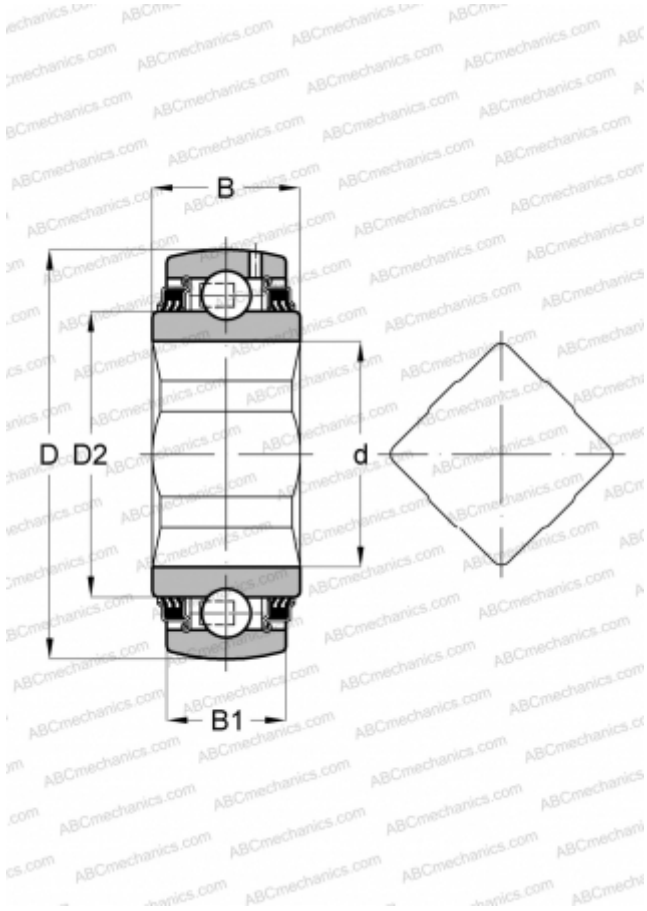


VKE30-212-KTT-B-2C INA

Insert bearings

TYPE: Ball bearings, Radial insert bearings, Self-aligning, Spherical outer ring, Series VK(E)..-KTT-B(INA), seals on both side, inner ring with square bore



Technical specification

DIMENSIONS, MM

d	30,000
D	110,000
D2	74,800
B	49,200
B1	24,000

WEIGHT, KG

2,020

MANUFACTURER

[INA](#)