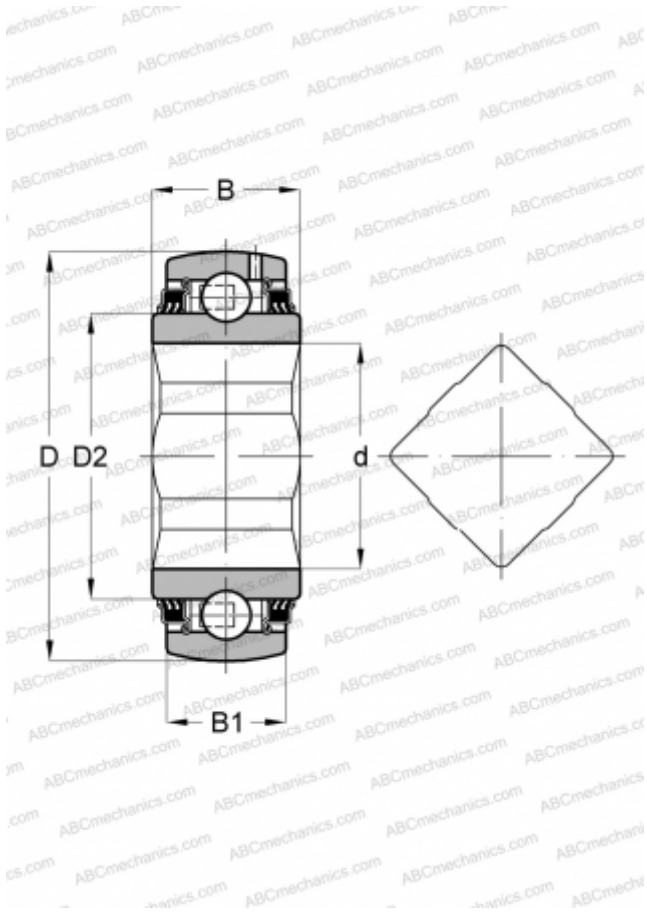


## VKE38-211-KTT-B-GA47/70-AH01 INA

Insert bearings

TYPE: Ball bearings, Radial insert bearings, Self-aligning, Spherical outer ring, Series VK(E)..-KTT-B(INA), seals on both side, inner ring with square bore



### Technical specification

#### DIMENSIONS, MM

d	38,000
D	100,000
D2	69,700
B	55,200
B1	25,000

#### WEIGHT, KG

1,420

#### MANUFACTURER

[INA](#)