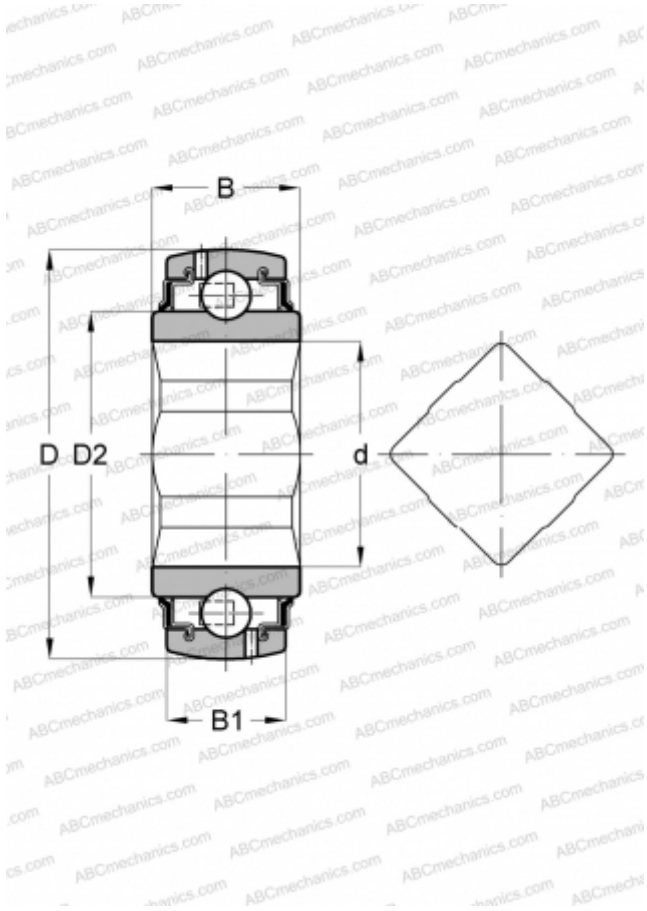


GVKE16-205-KRR-B-2C-AS2/V-AH01 INA

Insert bearings

TYPE: Ball bearings, Radial insert bearings, Self-aligning, Spherical outer ring, Series GVKE...KRR-B(INA), seals on both side, inner ring with square bore



Technical specification

DIMENSIONS, MM

d	16,300
D	52,000
D2	33,800
B	28,000
B1	15,000

WEIGHT, KG

0,240

MANUFACTURER

[INA](#)