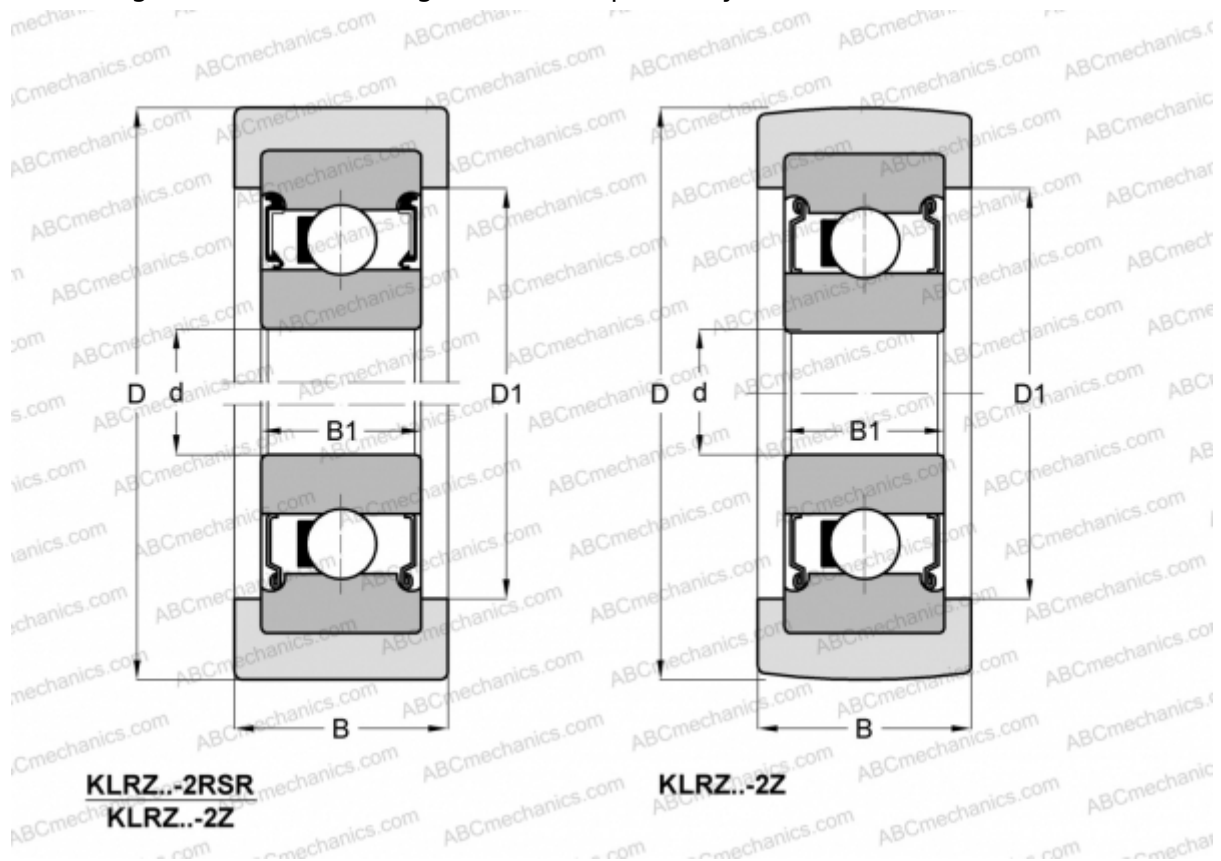


KLRZ10X30X10-2Z INA

Track rollers

TYPE: Ball bearings, Track rollers, Single row, With plastic tyre, sealed on both sides



Technical specification

DIMENSIONS, MM

d	10,000
D	30,000
D1	24,000
B	10,000
B1	8,000
E	6000

WEIGHT, KG 0,050

MANUFACTURER [INA](#)

ASSOCIATED PRODUCTS

6000 2Z