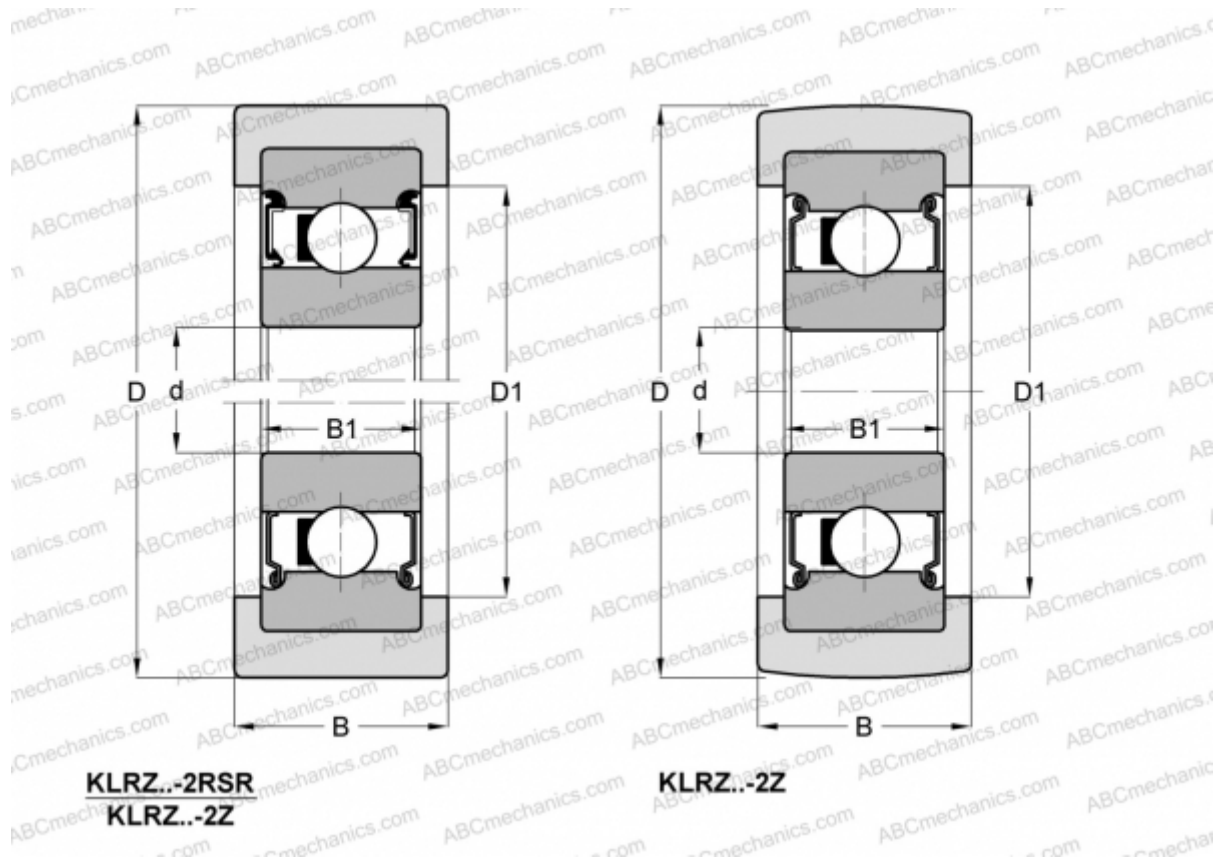


KLRU12X47X20-2Z INA

Track rollers

TYPE: Ball bearings, Track rollers, Single row, With plastic tyre, sealed on both sides



Technical specification

DIMENSIONS, MM

d	12,000
D	46,800
D1	28,500
B	20,000
B1	10,000
E	6201

WEIGHT, KG 0,045

MANUFACTURER [INA](#)

ASSOCIATED PRODUCTS

6201 2Z