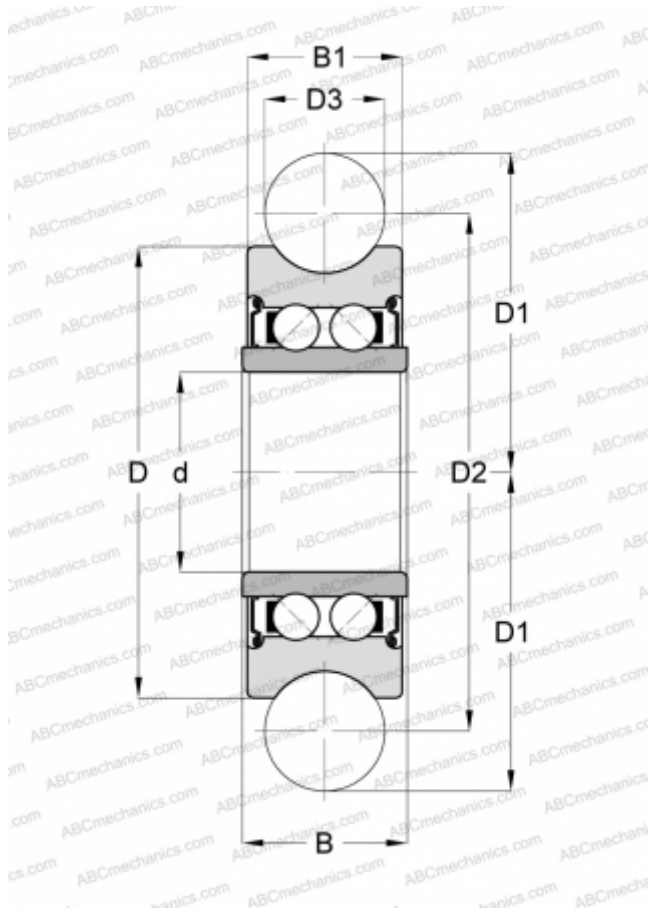


LFR50/8-6-2Z INA

Track rollers

TYPE: Ball bearings, Track rollers, Double row, Profiled, Profile of arrow-shaped arch, gap seals on both sides



Technical specification

DIMENSIONS, MM

d	8,000
D	24,000
D1	14,000
D2	22,800
D3	6,000
B	11,000
B1	11,000

WEIGHT, KG

0,020

MANUFACTURER

[INA](#)