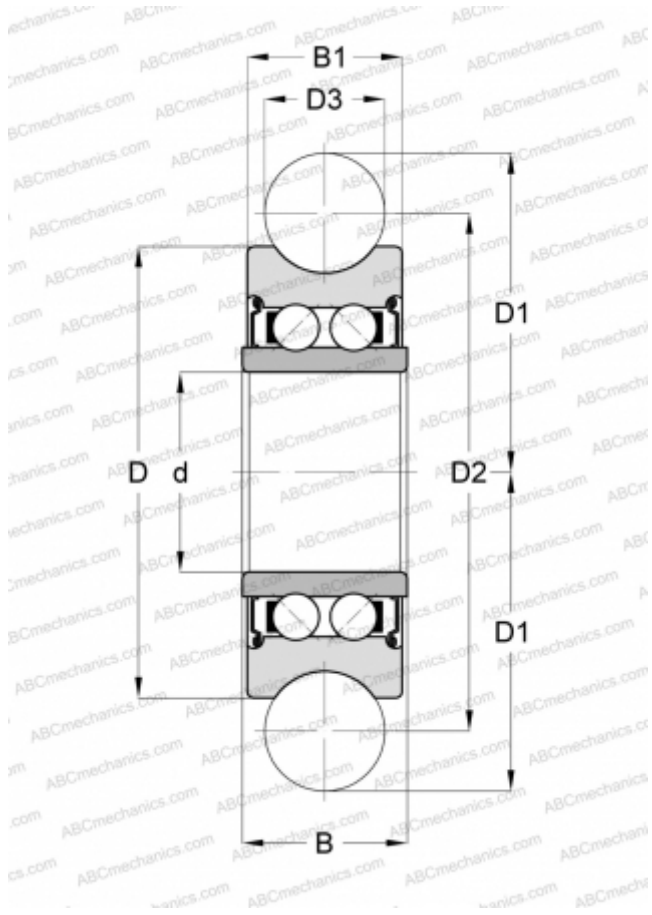


## LFR5301-10-2Z INA

Track rollers

TYPE: Ball bearings, Track rollers, Double row, Profiled, Profile of arrow-shaped arch, gap seals on both sides



### Technical specification

#### DIMENSIONS, MM

d	12,000
D	42,000
D1	24,000
D2	38,950
D3	10,000
B	19,000
B1	19,000

#### WEIGHT, KG

0,100

#### MANUFACTURER

[INA](#)