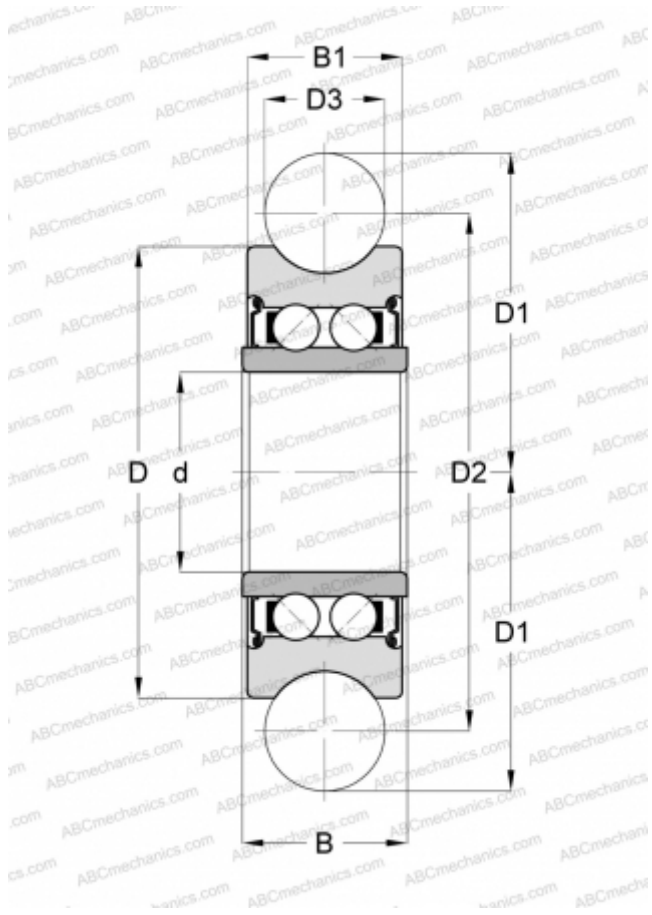


LFR5204-16-2Z INA

Track rollers

TYPE: Ball bearings, Track rollers, Double row, Profiled, Profile of arrow-shaped arch, gap seals on both sides



Technical specification

DIMENSIONS, MM

| | |
|----|--------|
| d | 20,000 |
| D | 52,000 |
| D1 | 31,500 |
| D2 | 49,140 |
| D3 | 16,000 |
| B | 22,600 |
| B1 | 20,600 |

WEIGHT, KG

0,230

MANUFACTURER

[INA](#)