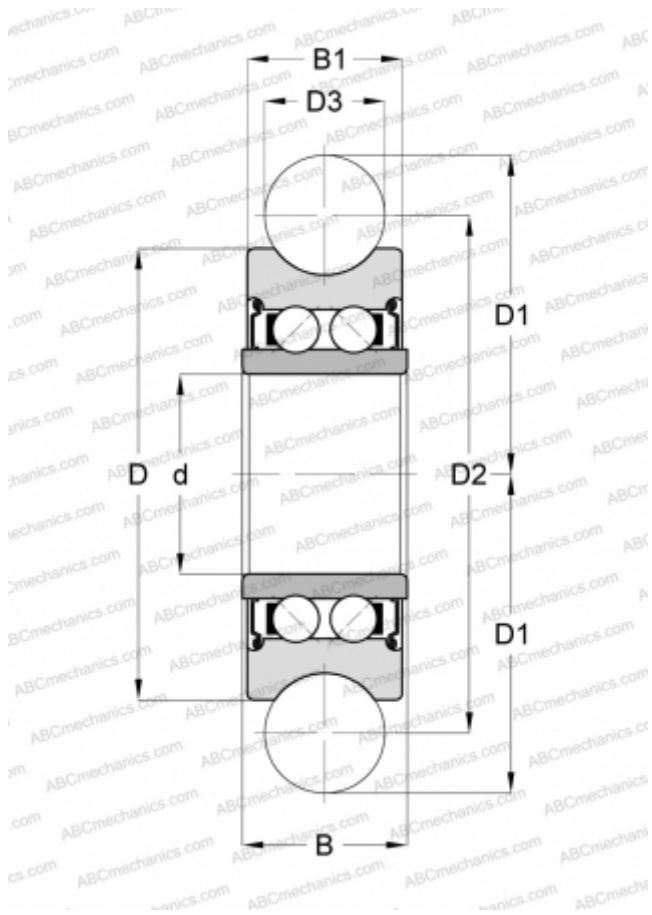


LFR5308-50-2Z INA

Track rollers

TYPE: Ball bearings, Track rollers, Double row, Profiled, Profile of arrow-shaped arch, gap seals on both sides



Technical specification

DIMENSIONS, MM

d	40,000
D	110,000
D1	72,500
D2	101,700
D3	50,000
B	46,000
B1	44,000

WEIGHT, KG

1,400

MANUFACTURER

[INA](#)