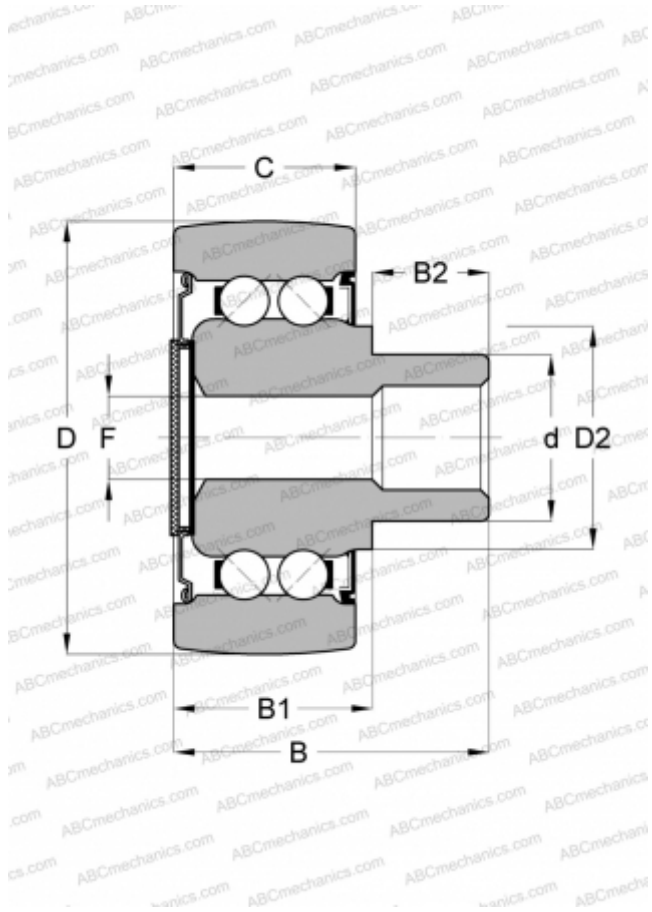


ZL5206-DRS INA

Stud type track rollers

TYPE: Ball bearings, Stud type track rollers, Double row, Lip seal on one side



Technical specification

DIMENSIONS, MM

d	30,000
D	72,000
D2	37,300
B	59,000
B1	29,000
B2	30,000
C	23,800
F	M16

WEIGHT, KG

0,550

MANUFACTURER

[INA](#)