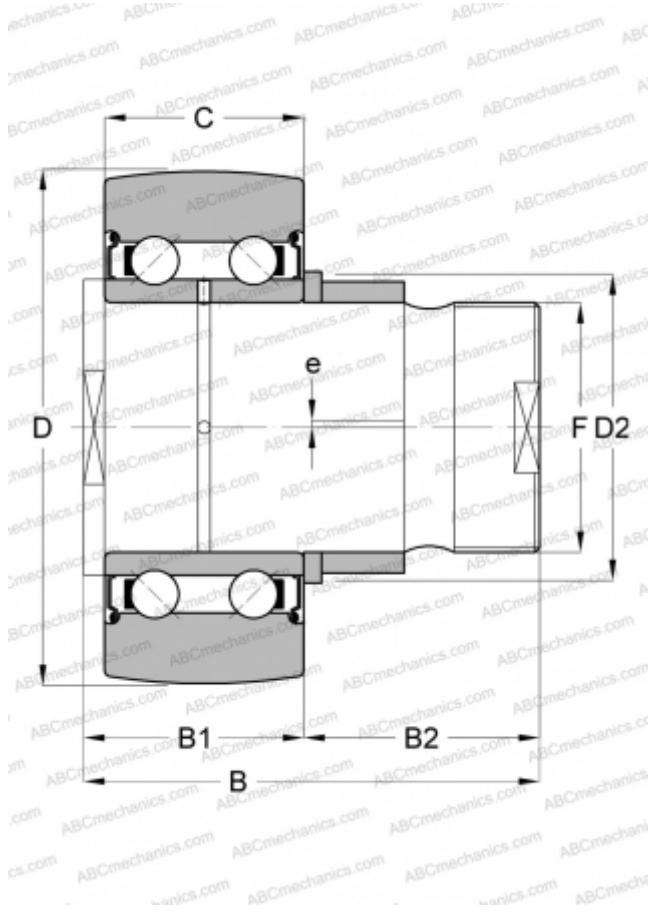


ZLE5205-2Z INA

Stud type track rollers

TYPE: Ball bearings, Stud type track rollers, Double row, Eccentric stud, gap seals on both sides



Technical specification

DIMENSIONS, MM

d	24,000
D	62,000
D2	30,000
B	88,000
B1	32,000
B2	56,000
C	20,600
F	M20X1,5

WEIGHT, KG

0,640

MANUFACTURER

[INA](#)