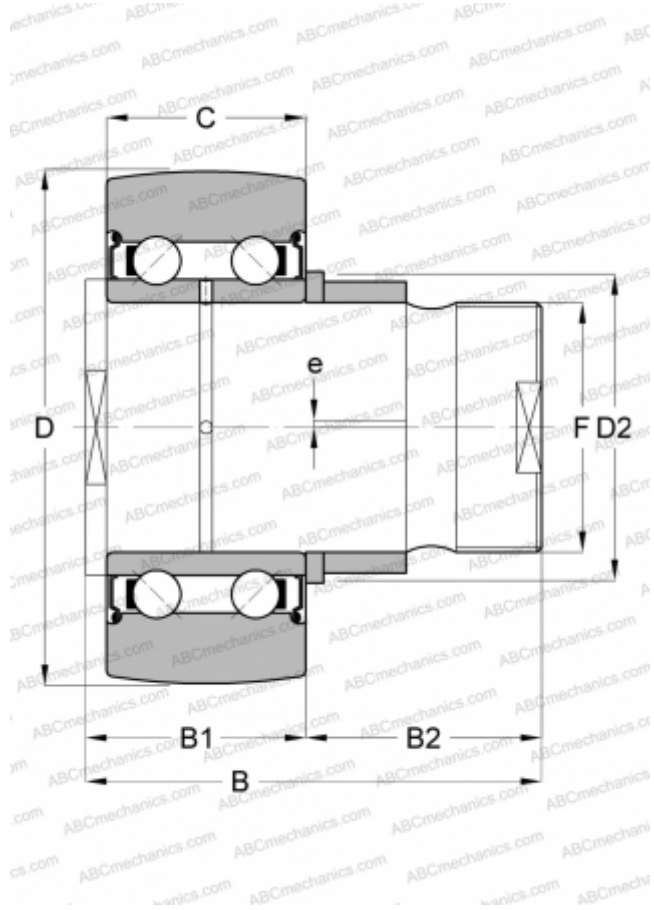


ZLE5207-2Z INA

Stud type track rollers

TYPE: Ball bearings, Stud type track rollers, Double row, Eccentric stud, gap seals on both sides



Technical specification

DIMENSIONS, MM

d	35,000
D	80,000
D2	45,000
B	99,000
B1	35,000
B2	64,000
C	27,000
F	M30X1,5

WEIGHT, KG

1,300

MANUFACTURER

[INA](http://www.ina.com)