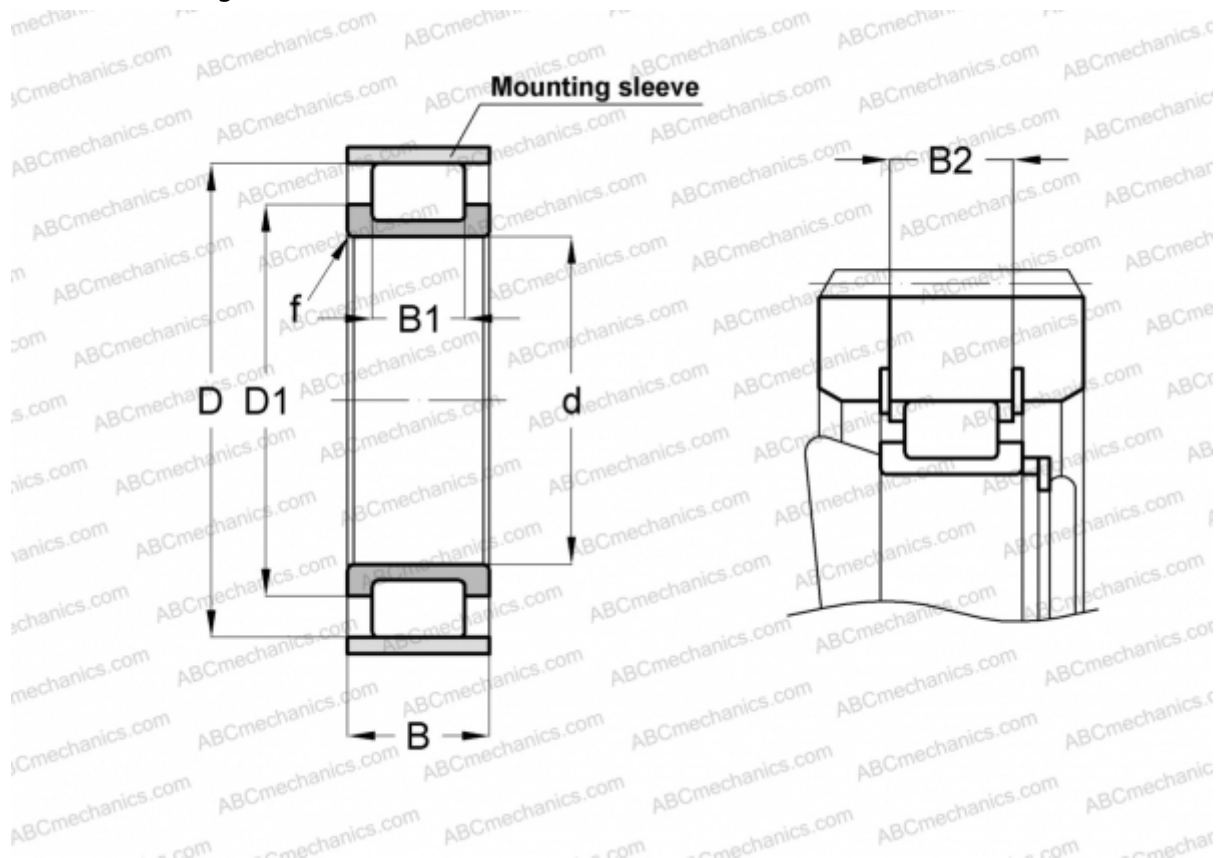


## RSL183009-A INA

Cylindrical roller bearings

TYPE: Roller bearings, Cylindrical roller bearings, Single row, Without outer ring, Full complement cylindrical roller bearing



### Technical specification

#### DIMENSIONS, MM

d	45,000
D	66,850
D1	55,500
B	23,000
B1	12,000
B2	20,200
f	1,000

**WEIGHT, KG** 0,230

**MANUFACTURER** [INA](#)

#### ASSOCIATED PRODUCTS

F-87591 + JV67