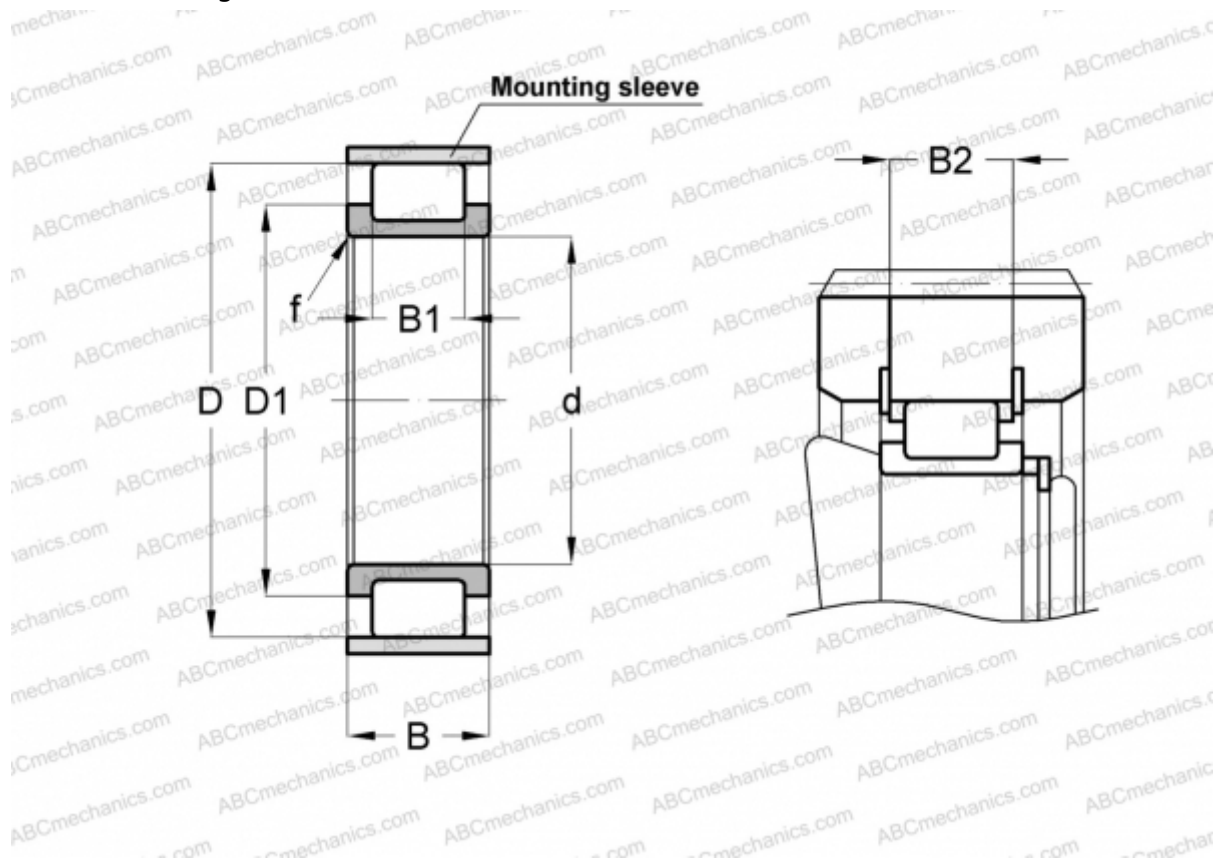


RSL183011-A INA

Cylindrical roller bearings

TYPE: Roller bearings, Cylindrical roller bearings, Single row, Without outer ring, Full complement cylindrical roller bearing



Technical specification

DIMENSIONS, MM

d	55,000
D	83,540
D1	68,500
B	26,000
B1	17,000
B2	22,600
f	1,100

WEIGHT, KG 0,450

MANUFACTURER [INA](#)

ASSOCIATED PRODUCTS

F-91631 + JV85