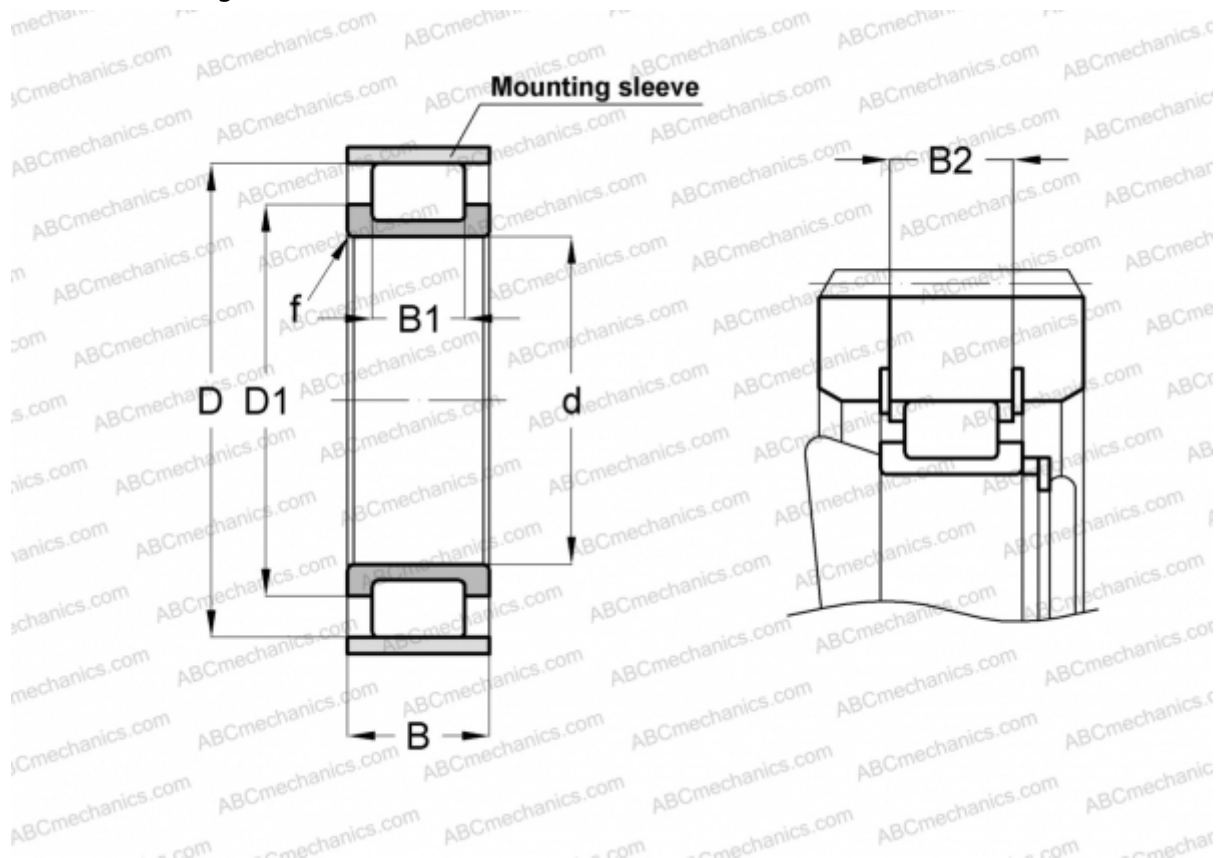


RSL183040-A INA

Cylindrical roller bearings

TYPE: Roller bearings, Cylindrical roller bearings, Single row, Without outer ring, Full complement cylindrical roller bearing



Technical specification

DIMENSIONS, MM

| | |
|----|---------|
| d | 200,000 |
| D | 287,750 |
| D1 | 237,000 |
| B | 82,000 |
| B1 | 52,000 |
| B2 | 76,200 |
| f | 2,100 |

WEIGHT, KG 14,400

MANUFACTURER [INA](#)

ASSOCIATED PRODUCTS

F-91818 + 288X5