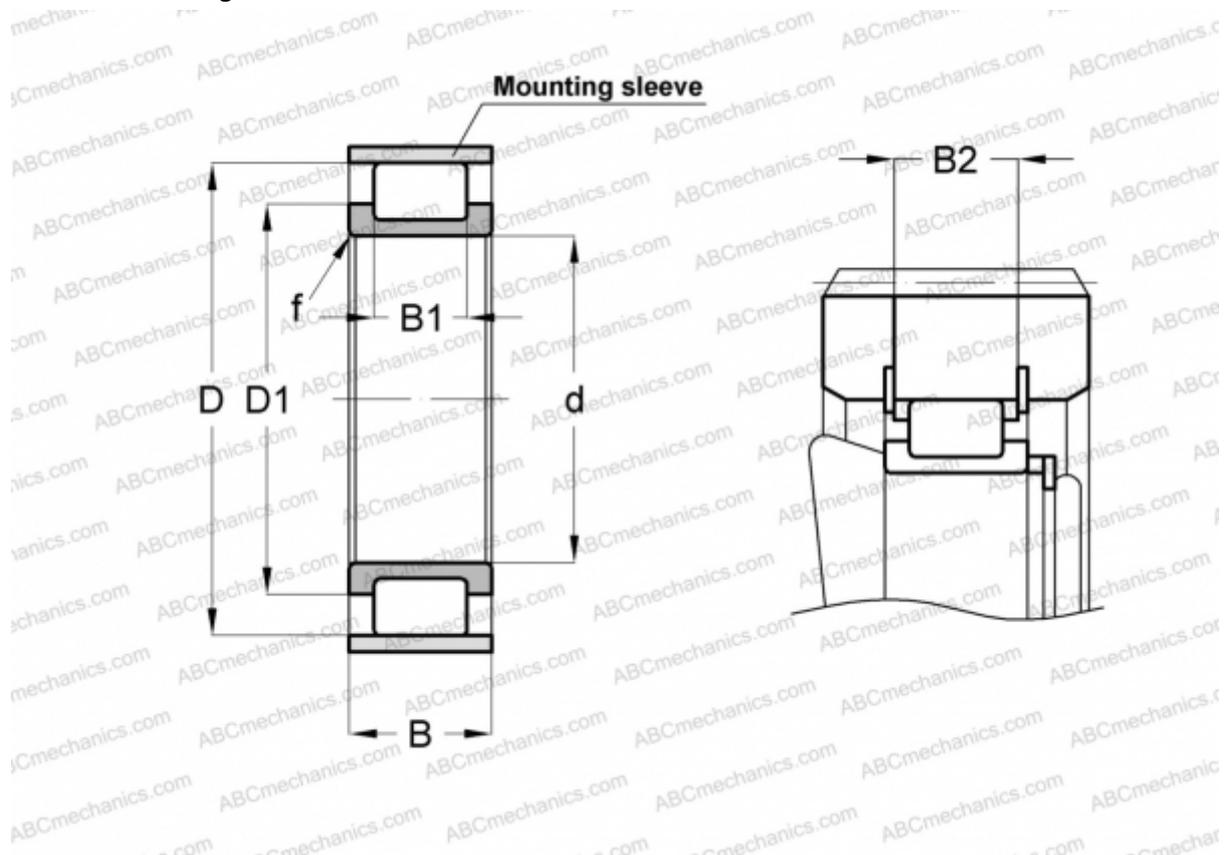


RSL182206-A INA

Cylindrical roller bearings

TYPE: Roller bearings, Cylindrical roller bearings, Single row, Without outer ring, Full complement cylindrical roller bearing



Technical specification

DIMENSIONS, MM

| | |
|----|--------|
| d | 30,000 |
| D | 55,190 |
| D1 | 42,000 |
| B | 20,000 |
| B1 | 14,000 |
| B2 | 17,800 |
| f | 1,000 |

WEIGHT, KG 0,190

MANUFACTURER [INA](#)

ASSOCIATED PRODUCTS

F-91913 + JV55