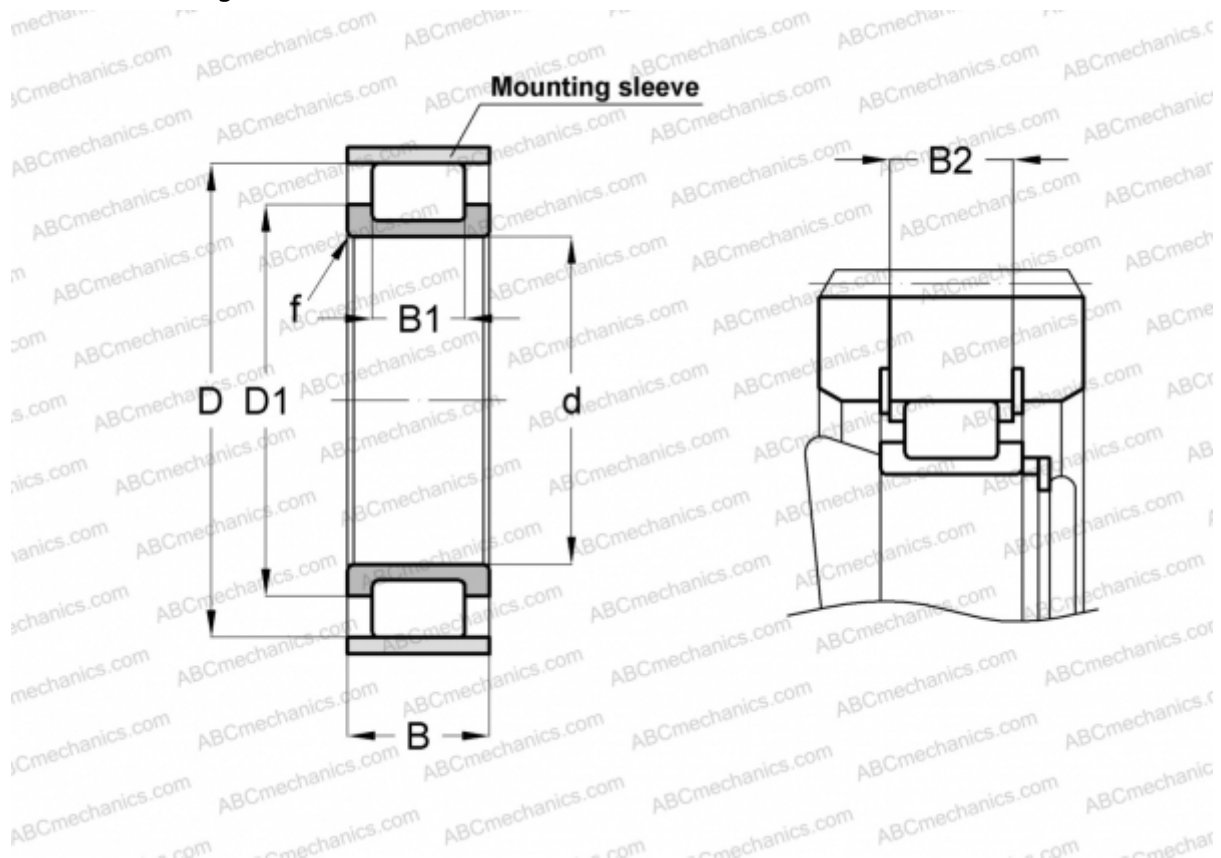


RSL182210-A INA

Cylindrical roller bearings

TYPE: Roller bearings, Cylindrical roller bearings, Single row, Without outer ring, Full complement cylindrical roller bearing



Technical specification

DIMENSIONS, MM

d	50,000
D	81,400
D1	64,400
B	23,000
B1	15,000
B2	20,200
f	1,100

WEIGHT, KG 0,410

MANUFACTURER [INA](#)

ASSOCIATED PRODUCTS

F-90398 + 82X2,5