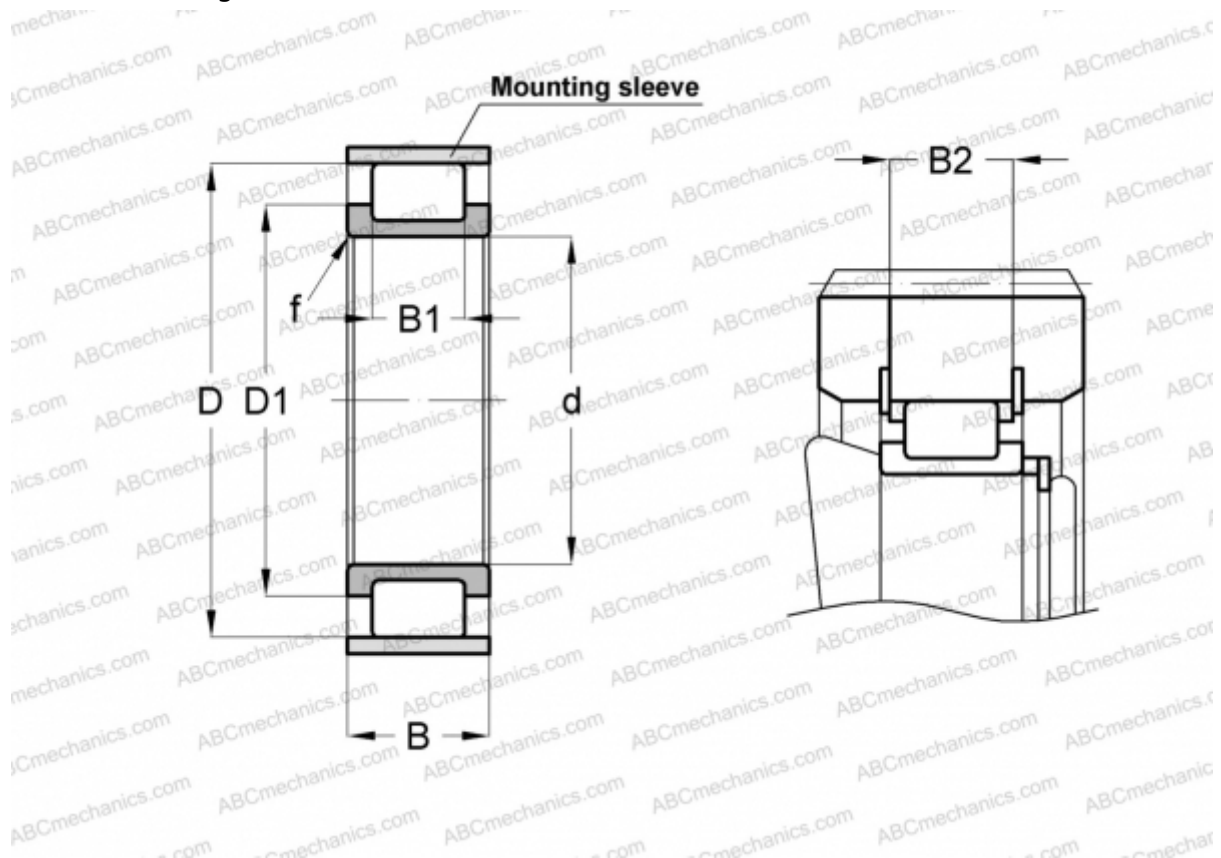


RSL182226-A INA

Cylindrical roller bearings

TYPE: Roller bearings, Cylindrical roller bearings, Single row, Without outer ring, Full complement cylindrical roller bearing



Technical specification

DIMENSIONS, MM

d	130,000
D	207,120
D1	162,300
B	64,000
B1	44,000
B2	58,400
f	3,000

WEIGHT, KG 7,080

MANUFACTURER [INA](#)

ASSOCIATED PRODUCTS

F-232876 + 207X5