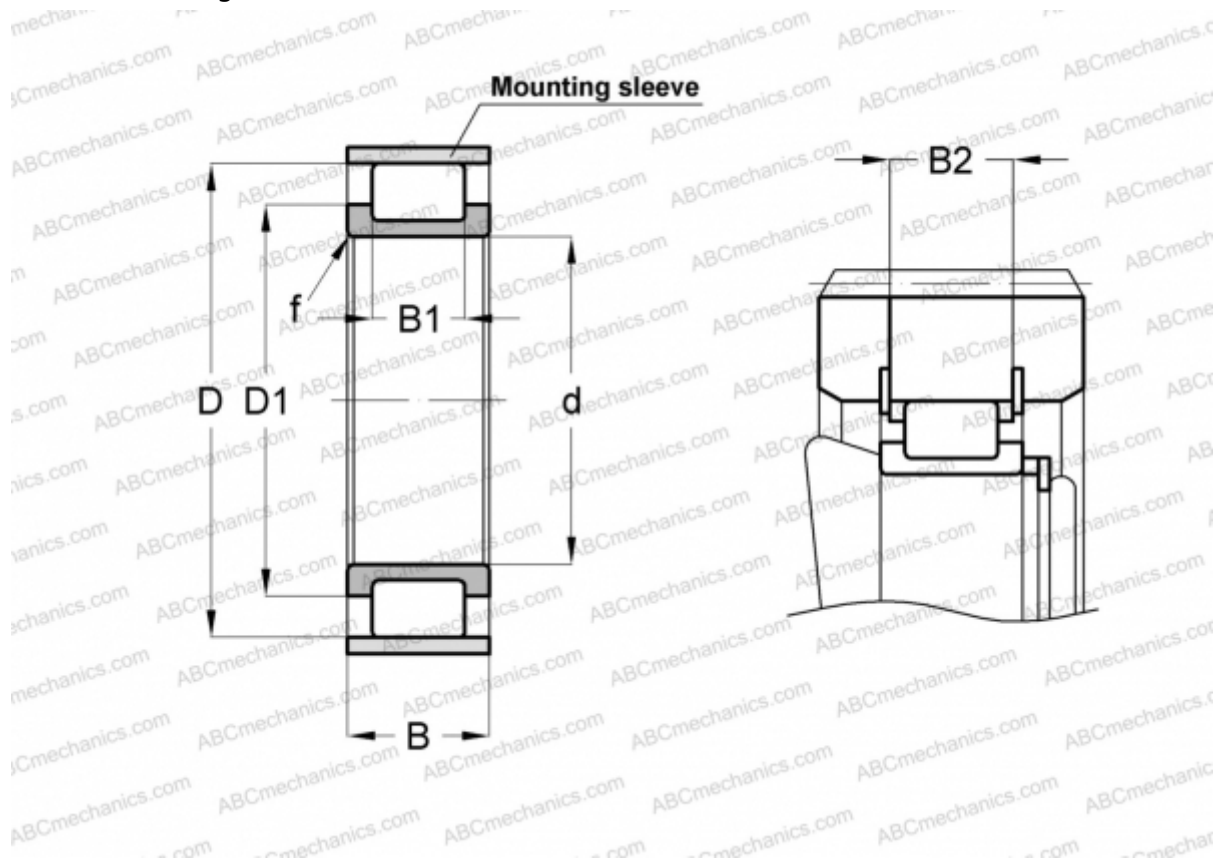


RSL182238-A INA

Cylindrical roller bearings

TYPE: Roller bearings, Cylindrical roller bearings, Single row, Without outer ring, Full complement cylindrical roller bearing



Technical specification

DIMENSIONS, MM

d	190,000
D	310,680
D1	243,500
B	92,000
B1	64,000
B2	85,200
f	4,000
E	310

WEIGHT, KG 24,000

MANUFACTURER [INA](#)

ASSOCIATED PRODUCTS

310X6