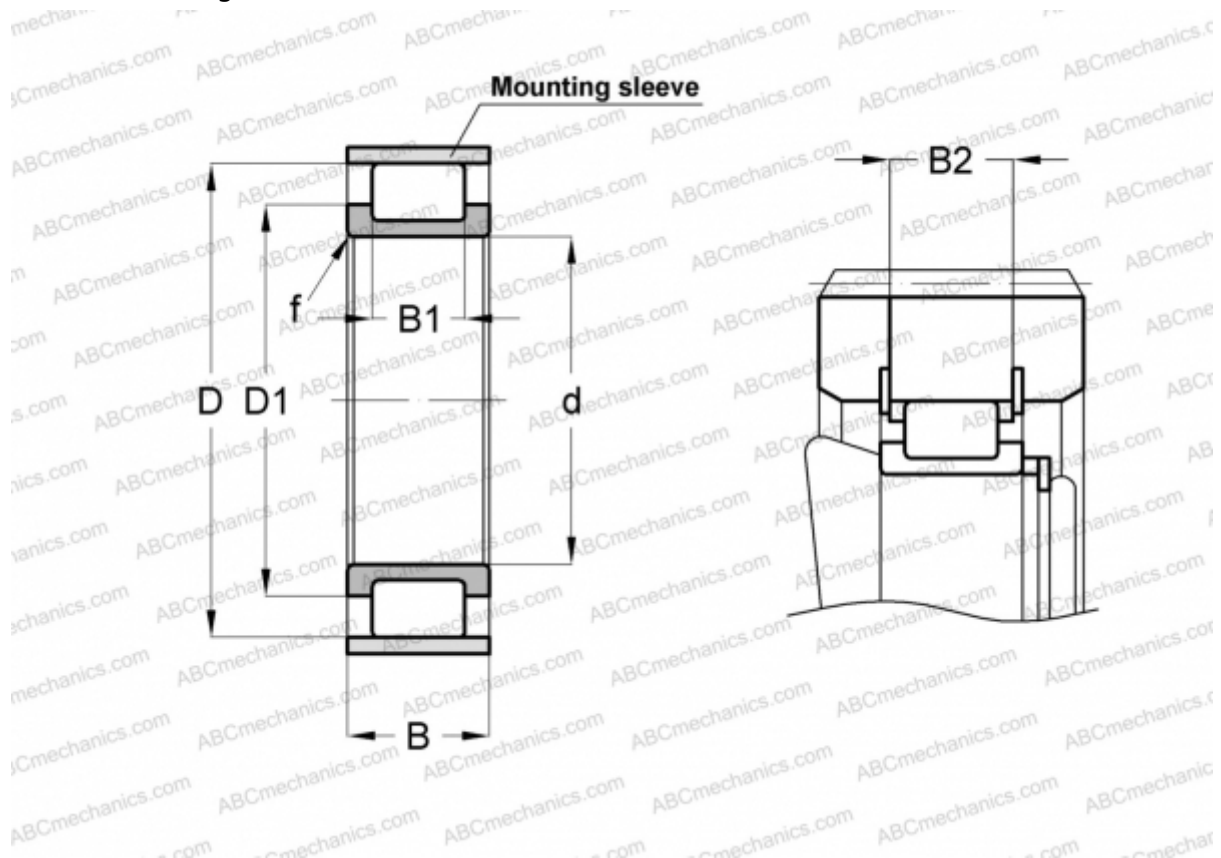


## RSL182318-A INA

Cylindrical roller bearings

TYPE: Roller bearings, Cylindrical roller bearings, Single row, Without outer ring, Full complement cylindrical roller bearing



### Technical specification

#### DIMENSIONS, MM

d	90,000
D	165,260
D1	117,500
B	64,000
B1	48,000
B2	59,600
f	3,000

**WEIGHT, KG** 5,150

**MANUFACTURER** [INA](#)

#### ASSOCIATED PRODUCTS

F-92072 + 165X4