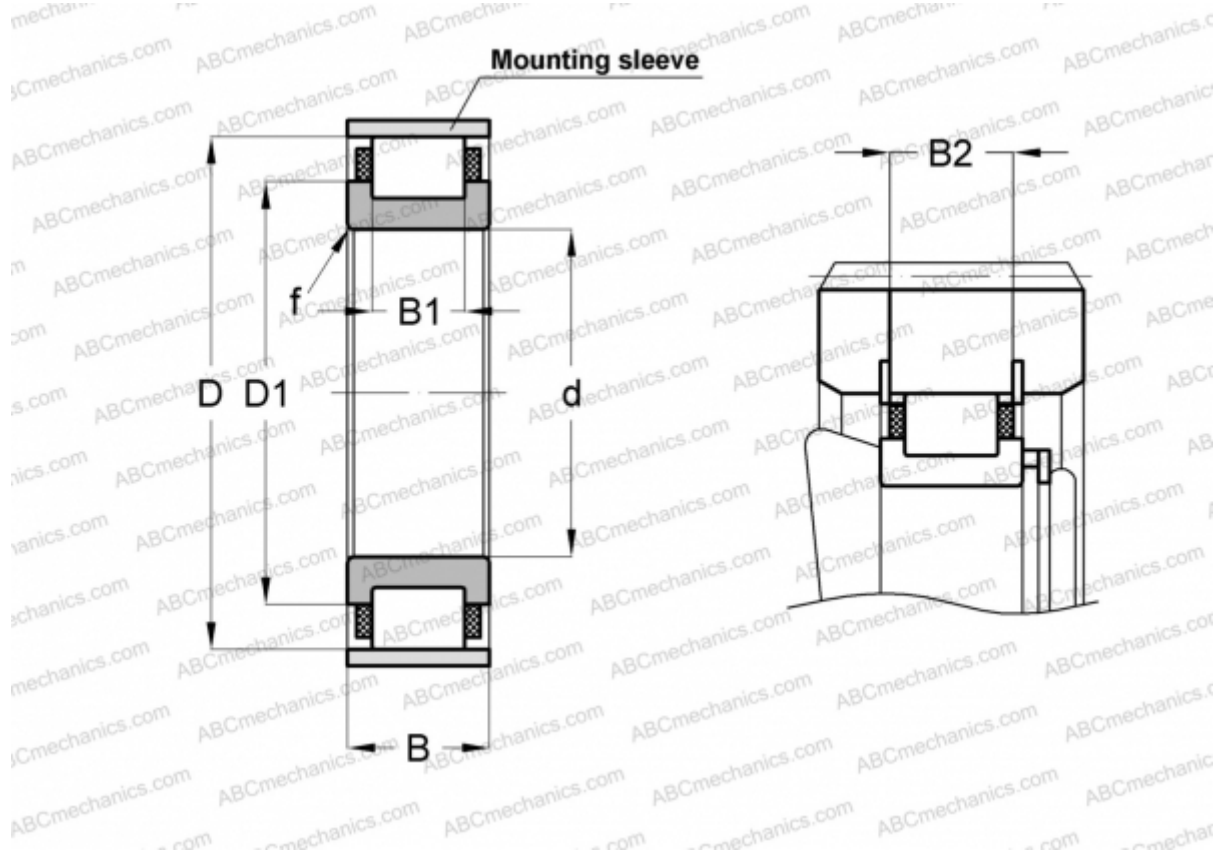


## RN211-E-MPBX INA

Cylindrical roller bearings

TYPE: Roller bearings, Cylindrical roller bearings, Single row, Without outer ring, With cage



### Technical specification

#### DIMENSIONS, MM

d	55,000
D	90,000
D1	70,800
B	21,000
B1	14,000
B2	18,200
f	1,500

**WEIGHT, KG** 0,470

**MANUFACTURER** [INA](#)

#### ASSOCIATED PRODUCTS

SB90 2,5X3,4