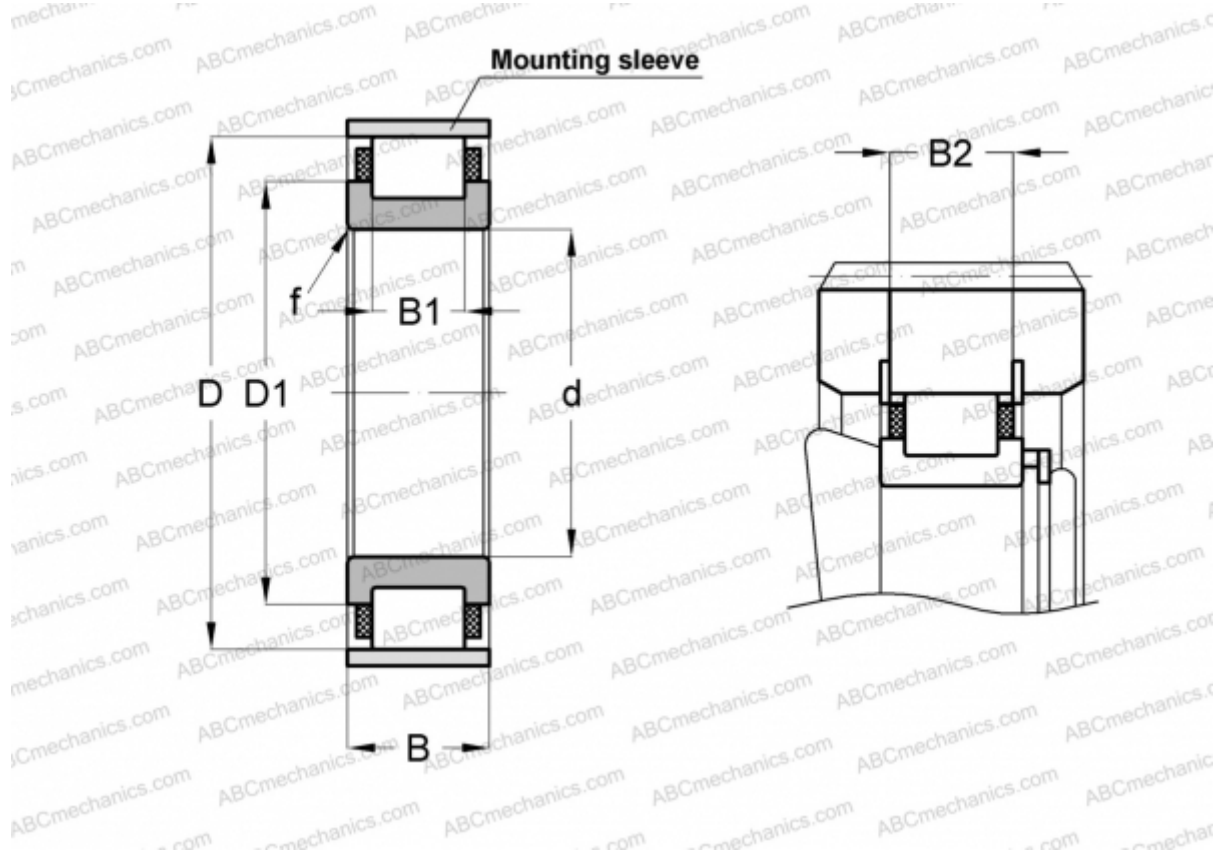


RN222-E-MPBX INA

Cylindrical roller bearings

TYPE: Roller bearings, Cylindrical roller bearings, Single row, Without outer ring, With cage



Technical specification

DIMENSIONS, MM

d	110,000
D	180,500
D1	141,600
B	38,000
B1	26,000
B2	35,200
f	2,100

WEIGHT, KG 3,570

MANUFACTURER [INA](#)

ASSOCIATED PRODUCTS

SB180 2,5X4