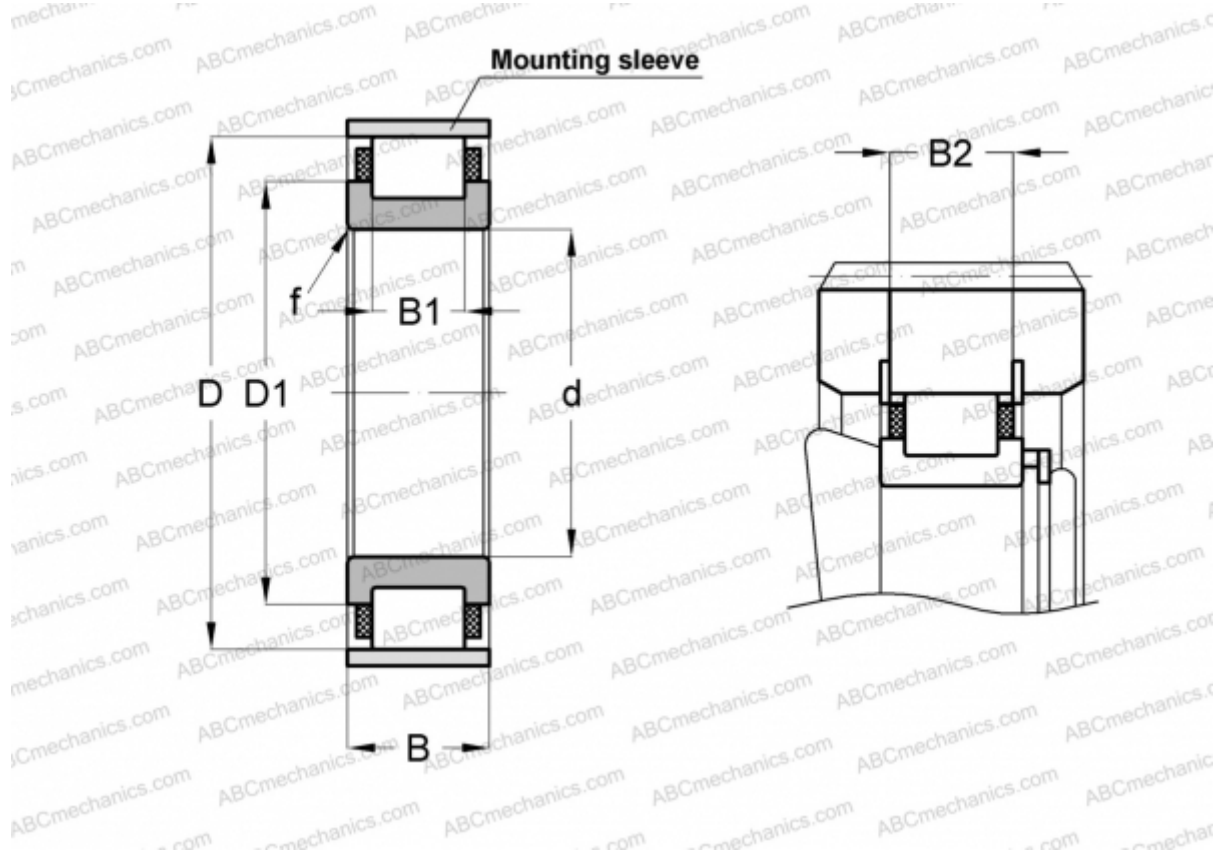


RN228-E-MPBX INA

Cylindrical roller bearings

TYPE: Roller bearings, Cylindrical roller bearings, Single row, Without outer ring, With cage



Technical specification

DIMENSIONS, MM

d	140,000
D	225,000
D1	179,400
B	42,000
B1	28,000
B2	38,700
f	3,000

WEIGHT, KG 6,010

MANUFACTURER [INA](#)

ASSOCIATED PRODUCTS

SB225 3X5