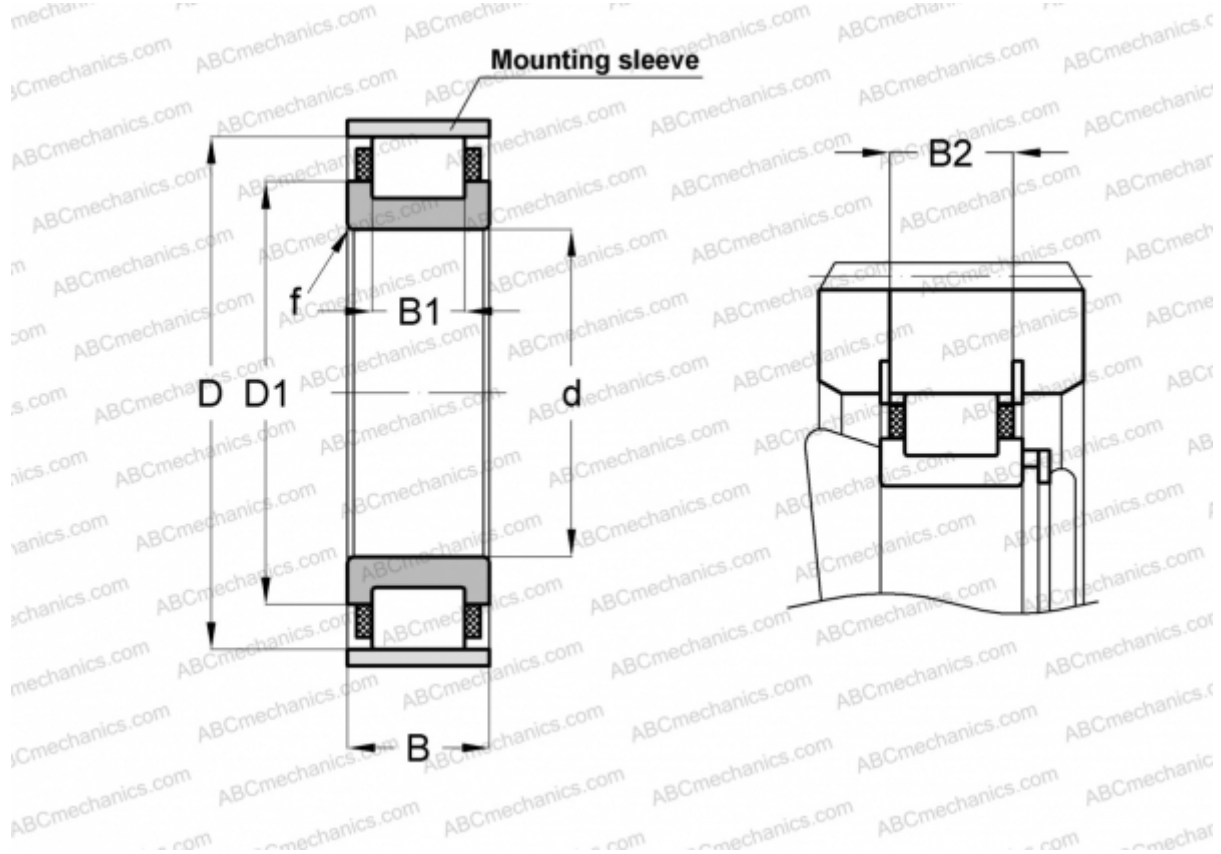


RN2213-E-MPBX INA

Cylindrical roller bearings

TYPE: Roller bearings, Cylindrical roller bearings, Single row, Without outer ring, With cage



Technical specification

DIMENSIONS, MM

d	65,000
D	108,500
D1	84,400
B	31,000
B1	22,000
B2	28,200
f	1,500

WEIGHT, KG 1,050

MANUFACTURER [INA](#)

ASSOCIATED PRODUCTS

SB108 2,5X3,4