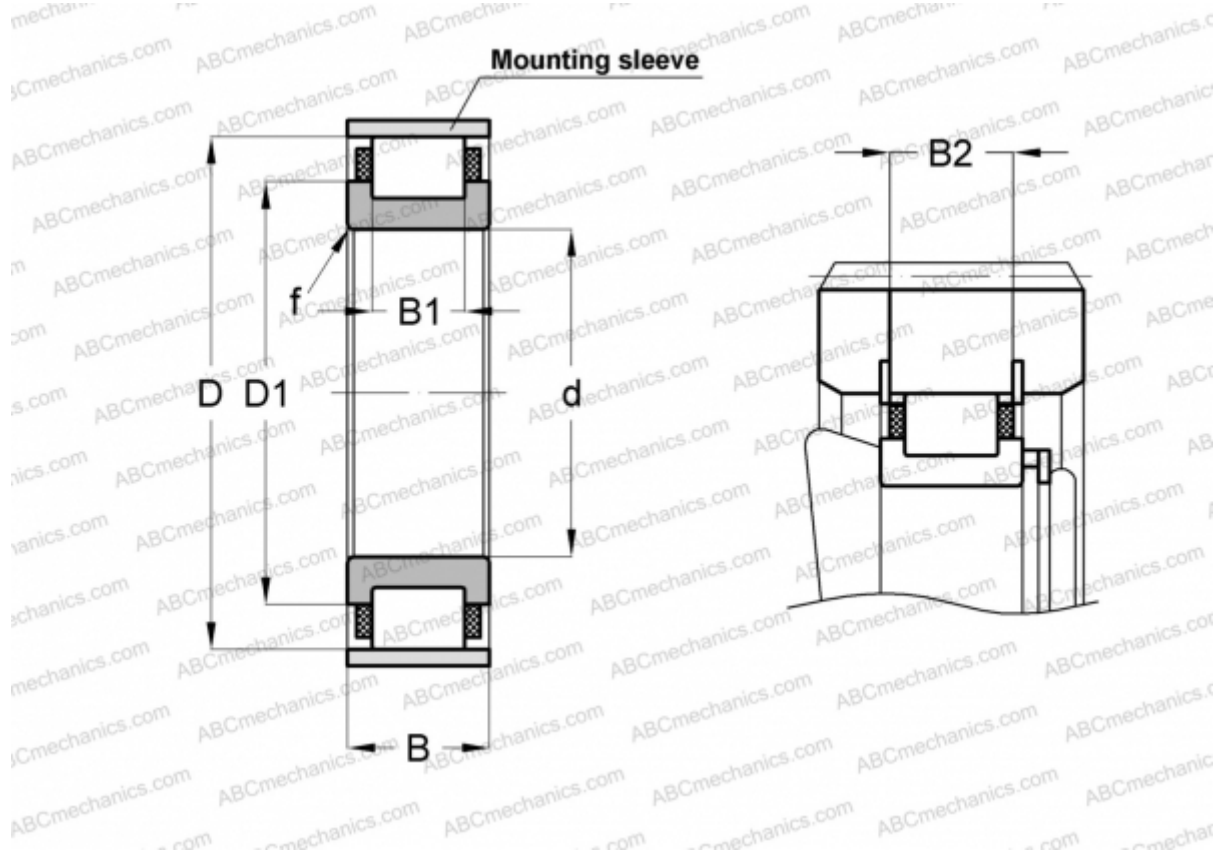


RN2214-E-MPBX INA

Cylindrical roller bearings

TYPE: Roller bearings, Cylindrical roller bearings, Single row, Without outer ring, With cage



Technical specification

DIMENSIONS, MM

| | |
|----|---------|
| d | 70,000 |
| D | 113,500 |
| D1 | 89,400 |
| B | 31,000 |
| B1 | 22,000 |
| B2 | 28,200 |
| f | 1,500 |

WEIGHT, KG 1,110

MANUFACTURER [INA](#)

ASSOCIATED PRODUCTS

SB113 2,5X3,4