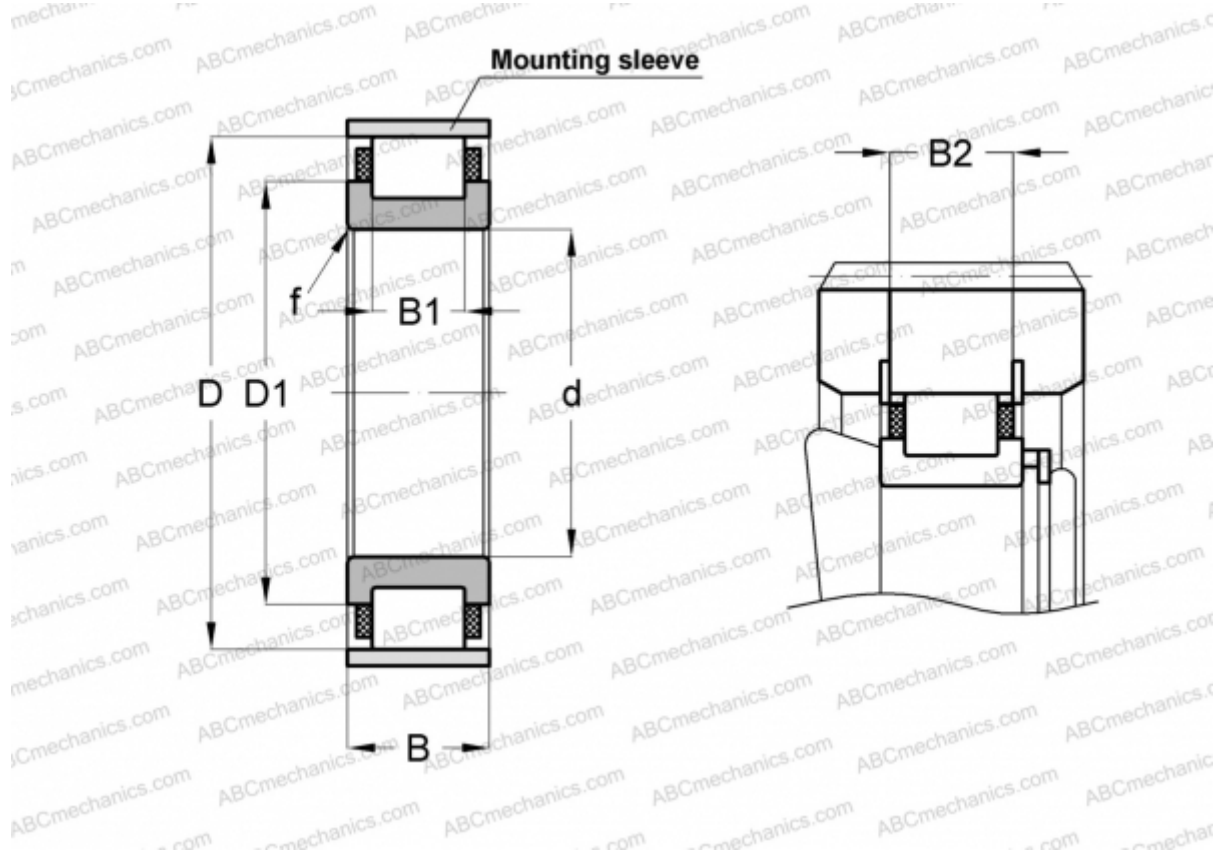


RN2348-EX-MPBX INA

Cylindrical roller bearings

TYPE: Roller bearings, Cylindrical roller bearings, Single row, Without outer ring, With cage



Technical specification

DIMENSIONS, MM

d	240,000
D	447,000
D1	329,600
B	155,000
B1	110,000
B2	150,700
f	5,000

WEIGHT, KG 96,200

MANUFACTURER [INA](#)

ASSOCIATED PRODUCTS

SB450 4X7,5