

SL06032 E INA

Cylindrical roller bearings

TYPE: Roller bearings, Cylindrical roller bearings, Double row, Non-locating bearing, full complement cylindrical roller set, spherical outer ring

Technical specification

DIMENSIONS, MM

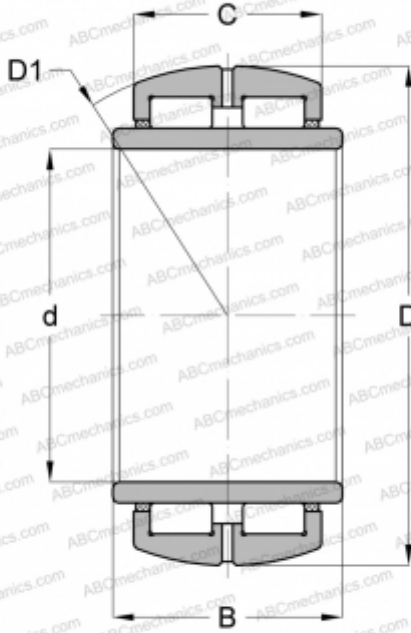
d	160,000
D	480,000
D1	240,000
B	110,000

WEIGHT, KG

14,300

MANUFACTURER

[INA](#)



ASSOCIATED PRODUCTS

GG51240