

## SL06040 E INA

Cylindrical roller bearings

TYPE: Roller bearings, Cylindrical roller bearings, Double row, Non-locating bearing, full complement cylindrical roller set, spherical outer ring

### Technical specification

#### DIMENSIONS, MM

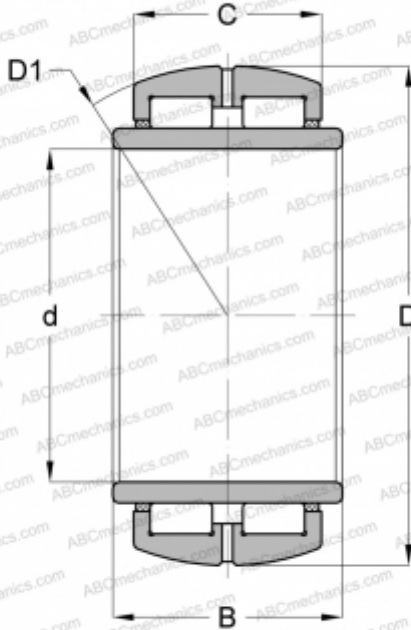
d	200,000
D	620,000
D1	310,000
B	140,000

#### WEIGHT, KG

32,000

#### MANUFACTURER

[INA](#)



#### ASSOCIATED PRODUCTS

GG51310