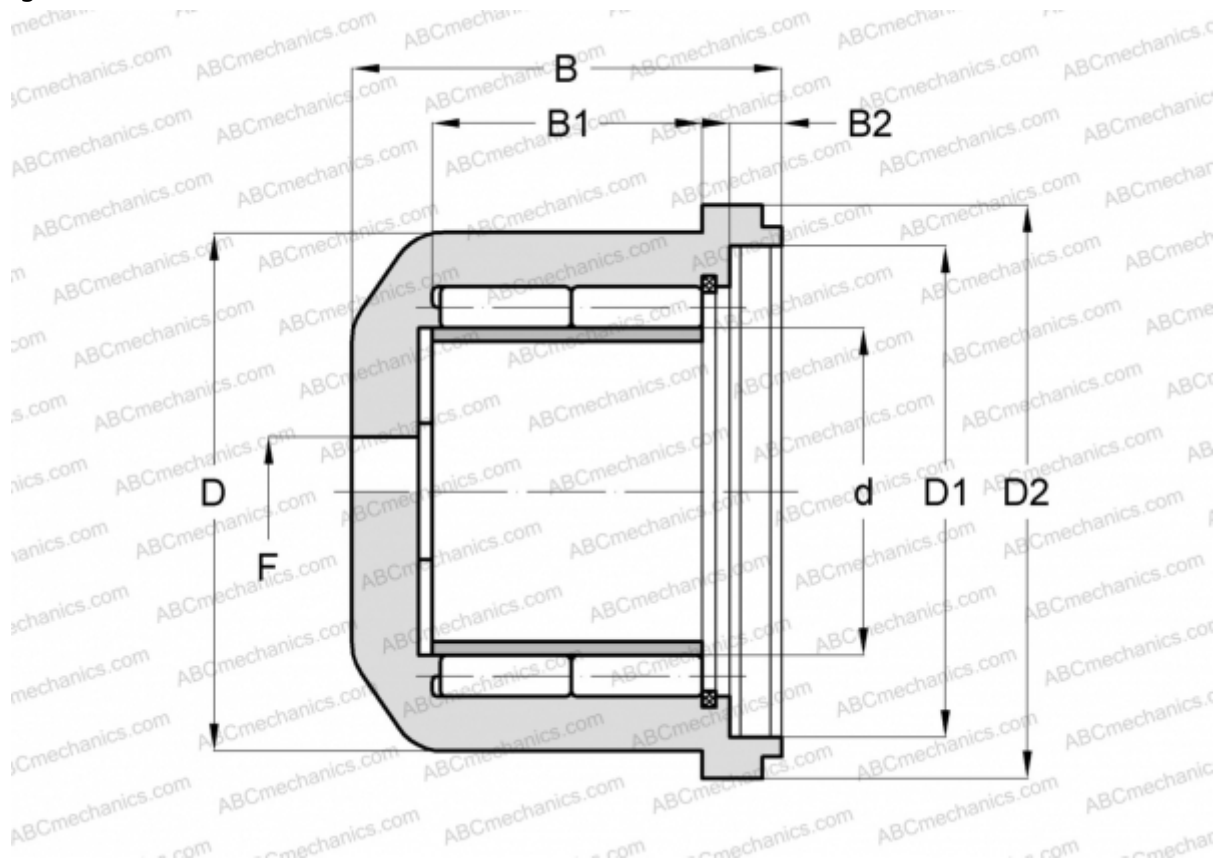


## CPM 2761 CPM

Cylindrical roller bearings

TYPE: Roller bearings, Cylindrical roller bearings, Double row, Cardan shaft bearing, CPM production, With flange



### Technical specification

#### DIMENSIONS, MM

d	51,530
D	83,000
D1	80,000
D2	90,000
B	67,600
B1	42,360
B2	9,500
F	M10 x 1

#### MANUFACTURER

[CPM](#)