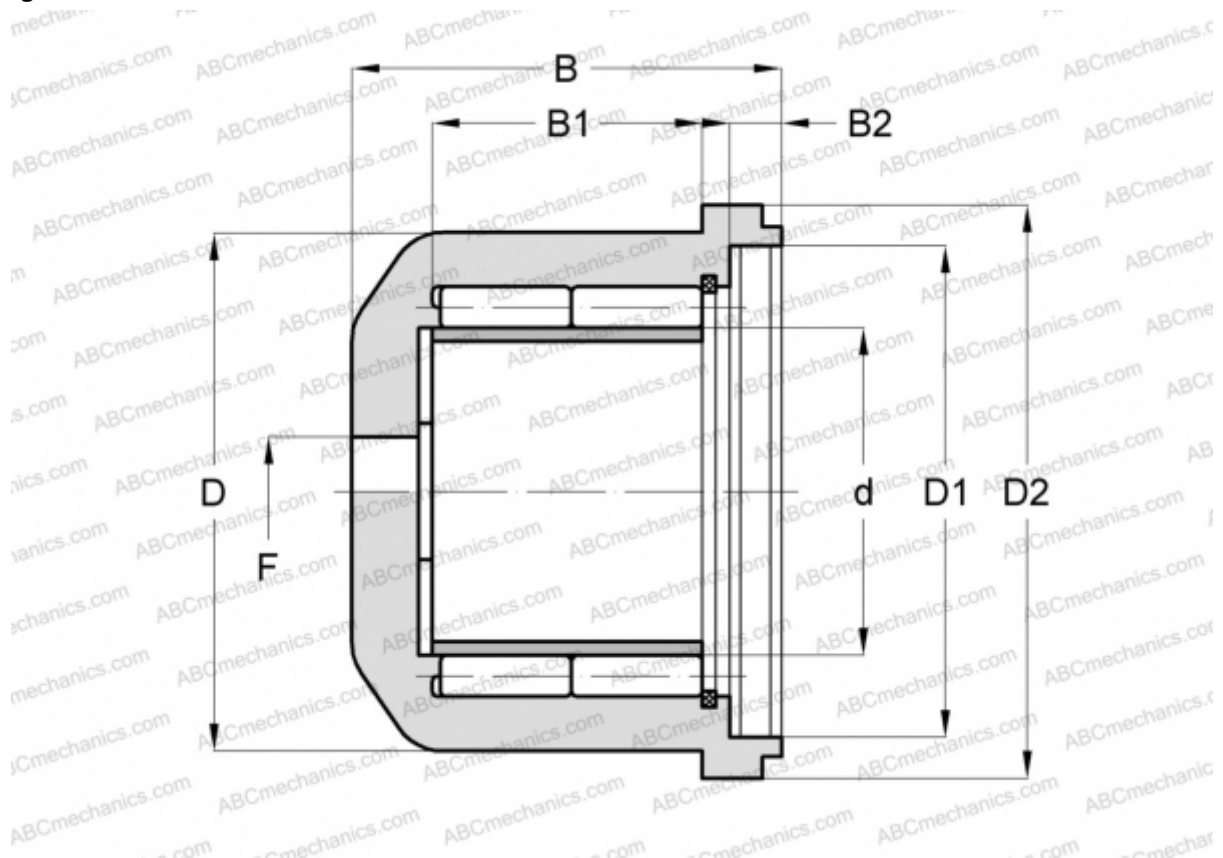


CPM 2688 CPM

Cylindrical roller bearings

TYPE: Roller bearings, Cylindrical roller bearings, Double row, Cardan shaft bearing, CPM production, With flange



Technical specification

DIMENSIONS, MM

d	54,350
D	83,000
D1	80,000
D2	90,000
B	70,300
B1	44,500
B2	10,500
F	M10 x 1

MANUFACTURER

[CPM](#)